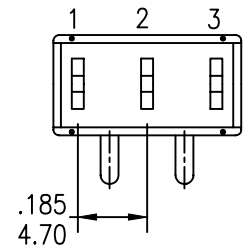
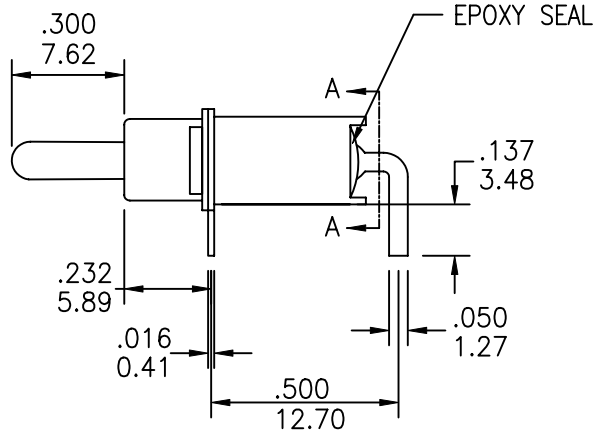
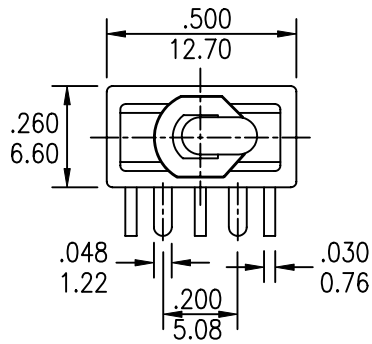


1

2

3

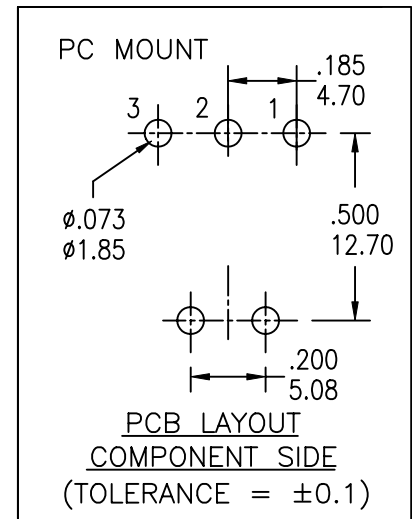
4

COMPONENT
SPECIFICATIONUSE OR REPRODUCTION OF THIS DRAWING FOR THE PURPOSE OF MANUFACTURING THIS
ARTICLE OR ANY ARTICLES SHOWN FOR ANY PURPOSE IS STRICTLY PROHIBITED WITHOUT
WRITTEN PERMISSION FROM SENIOR INDUSTRIES, INC.

SECTION A-A

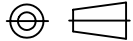
PART SHOWN: SRST-905-TMCQE

MODEL NO.	SWITCHING POSITION		
905	ON	NONE	ON
905A	ON	NONE	MOM
906	ON	OFF	ON
906A	MOM	OFF	MOM
906B	ON	OFF	MOM
CONN. TERMS	2-3	OPEN	2-1
SCHMATIC	SPDT		



DESIGNED:			SYM.	DATE	DESCRIPTION OF REVISIONS	DRAWN	APPD.
DRAWN:	GAT	04/28/08		04.28.08	NEW	GAT	JF
CHECKED:	GAT	01/08/10		.	.		
APPROVED:	JF	01/08/10		.	.		

3RD ANGLE



UNIT:

IN/mm

SCALE:

1:1

REV.

A


**SENIOR
INDUSTRIES, INC.**

TOLERANCE:

TO 2 DECIMAL PLACE:	±.01
TO 3 DECIMAL PLACES:	±.005
AS ANGLES:	

SHEET:

PART NO:

SEE CHART

 TITLE: SRST 905/906 RIGHT
ANGLE SEALED TOGGLE SWITCH

1 OF 3

COMPONENT SPECIFICATION

USE OR REPRODUCTION OF THIS DRAWING FOR THE PURPOSE OF MANUFACTURING THIS ARTICLE OR ANY ARTICLES SHOWN FOR ANY PURPOSE IS STRICTLY PROHIBITED WITHOUT WRITTEN PERMISSION FROM SENIOR INDUSTRIES, INC.

SPECIFICATIONS

ELECTRICAL

CONTACT RATING:
SILVER: 5A @ 120 VAC OR 28 VDC, 2A @ 250 VAC
GOLD: 0.4 VA MAX. @ 20 V MAX. (AC OR DC)
CONTACT RESISTANCE: 10 MILLIOHMS MAX. @ 2-4 VDC
INSULATION RESISTANCE: 1,000 MEGOHMS MIN. AT 500 VDC
DIELECTRIC STRENGTH: 1,000 VRMS

MECHANICAL

LIFE: 30,000 CYCLES

ENVIRONMENTAL

OPERATING TEMPERATURE: -30°C TO +85°C

MATERIAL

CASE: GLASS FILLED NYLON 6/6, UL94V-0
BUSHING: GLASS FILLED NYLON 6/6, UL94V-0
ACTUATOR: BRASS, CHROME PLATED WITH STD INTERNAL O-RING SEAL
SWITCH SUPPORT: BRASS OR STEEL, TIN PLATED
SWITCH SUPPORT RETAINER: STAINLESS STEEL
CONTACT/TERMINALS: COPPER ALLOY, SILVER OR GOLD PLATED

REGULATORY

UL AND CANADA RECOGNIZED COMPONENT. UL/CUL FILE NO. E173084.

PART NUMBER BUILDER:

SERIES	MODEL NO.	ACTUATOR	BUSHING	TERMINATION	CONTACT PLATING	SEAL
SRST -		-				
	905 905A 906 906A 906B	S T (STD)	M (STD - NON-THD)	C (RIGHT ANGLE, PC MOUNT) CN (RIGHT ANGLE, PC MOUNT, SNAP-IN)	Q (SILVER) R (GOLD)	BLANK E (EPOXY)

DESIGNED:	DRAWN:	CHECKED:	APPROVED:	SYM.	DATE	DESCRIPTION OF REVISIONS	DRAWN	APPD.
	GAT	GAT	JF		04.28.08	NEW	GAT	JF
					. . .			
					. . .			
					. . .			

3RD ANGLE		UNIT:	IN/mm	SCALE:		REV.	A
-----------	--	-------	-------	--------	--	------	---



TOLERANCE:	PART NO:
TO 2 DECIMAL PLACE: ±.01	SEE CHART
TO 3 DECIMAL PLACES: ±.005	TITLE: SRST 905/906 RIGHT ANGLE SEALED TOGGLE SWITCH
AS ANGLES:	
SHEET:	2 OF 3

1

2

3

4

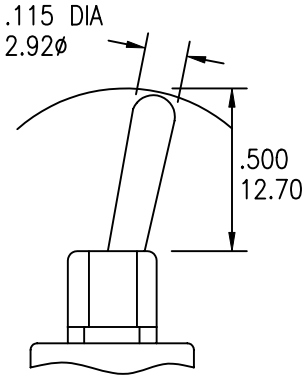
COMPONENT SPECIFICATION

USE OR REPRODUCTION OF THIS DRAWING FOR THE PURPOSE OF MANUFACTURING THIS ARTICLE OR ANY ARTICLES SHOWN FOR ANY PURPOSE IS STRICTLY PROHIBITED WITHOUT WRITTEN PERMISSION FROM SENIOR INDUSTRIES, INC.

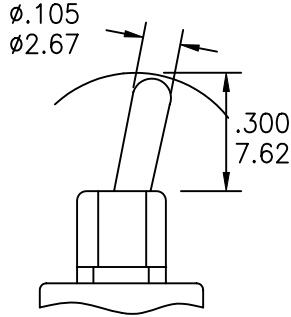
A

ACTUATOR OPTIONS

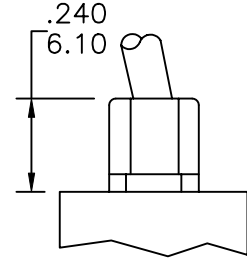
BUSHING OPTIONS



S



T (STANDARD)



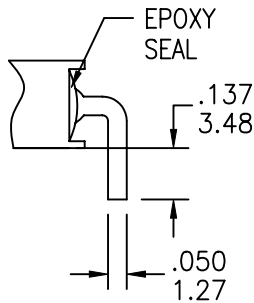
M (STD NON-THD)

B

TERMINATION OPTIONS

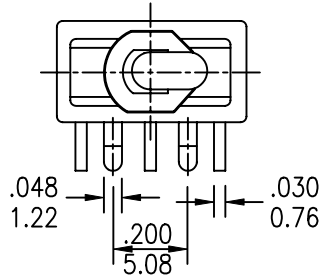
PC MOUNT

PC MOUNT, SNAP-IN

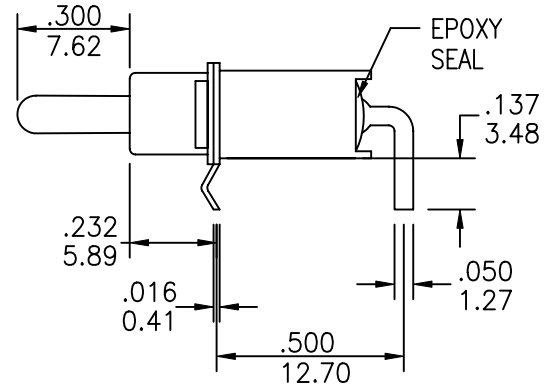


THK .030 [0.76]

C



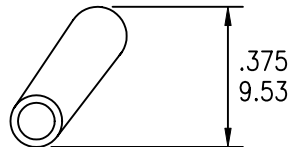
CN



C

D

NOTE: OPTIONAL TOGGLE CAP AVAILABLE.



E

DESIGNED:			SYM.	DATE	DESCRIPTION OF REVISIONS	DRAWN	APPD.
DRAWN:	GAT	04/28/08		04.28.08	NEW	GAT	JF
CHECKED:	GAT	01/08/10		. .			
APPROVED:	JF	01/08/10		. .			

3RD ANGLE		UNIT:	IN/mm	SCALE:	1:1	REV.	A
-----------	--	-------	-------	--------	-----	------	---



TOLERANCE:	PART NO:
TO 2 DECIMAL PLACE: $\pm .01$	SEE CHART
TO 3 DECIMAL PLACES: $\pm .005$	TITLE: SRST 905/906 RIGHT ANGLE SEALED TOGGLE SWITCH
AS ANGLES:	
SHEET:	3 OF 3