

1

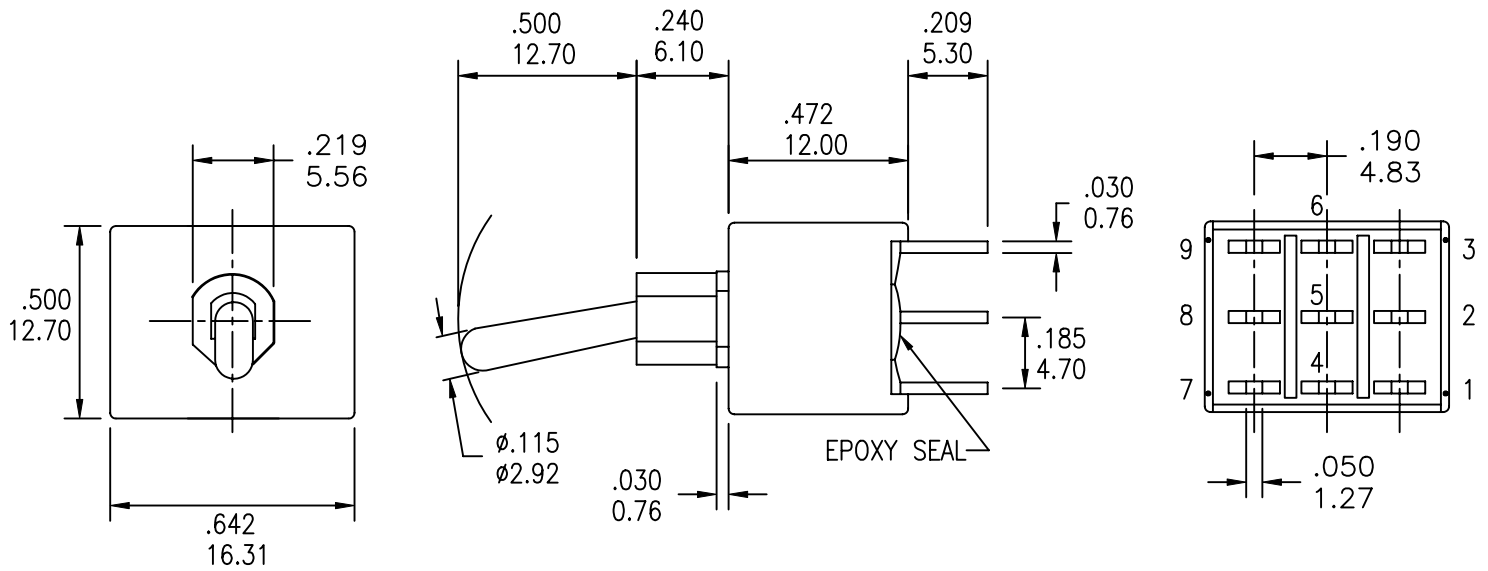
2

3





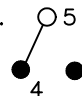

4

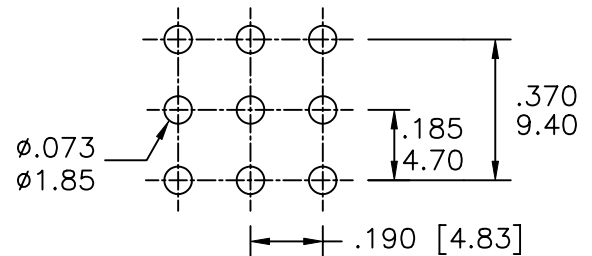
COMPONENT  
SPECIFICATION

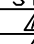
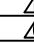
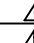
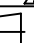
USE OR REPRODUCTION OF THIS DRAWING FOR THE PURPOSE OF MANUFACTURING THIS ARTICLE OR ANY ARTICLES SHOWN FOR ANY PURPOSE IS STRICTLY PROHIBITED WITHOUT WRITTEN PERMISSION FROM SENIOR INDUSTRIES, INC.



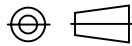
PART SHOWN: SRST-909-SMCRE

MODEL NO.	SWITCHING POSITION		
			
909	ON	NONE	ON
909A	ON	NONE	MOM
910	ON	OFF	ON
910A	MOM	OFF	MOM
910B	ON	OFF	MOM
CONN. TERMS	2-3 5-6 8-9	OPEN	2-1 5-4 8-7
SCHEMATIC 3PDT			

FOR PC MOUNT  
TERMINATION ONLY

DESIGNED:	DRAWN:	CHECKED:	APPROVED:	SYM.	DATE	DESCRIPTION OF REVISIONS	DRAWN	APPD.
	GAT	GAT	JF		02.22.10	NEW	GAT	JF
					.			
					.			
					.			

3RD ANGLE



UNIT:

IN/mm

SCALE:

2:1

REV.

A


**SENIOR INDUSTRIES, INC.**

TOLERANCE:

TO 2 DECIMAL PLACE:  $\pm .01$ TO 3 DECIMAL PLACES:  $\pm .005$ 

AS ANGLES:

PART NO:

SEE CHART

TITLE:

SRST 909/910  
SEALED TOGGLE SWITCH

SHEET:

1 OF 6

1

2

3

4

COMPONENT  
SPECIFICATIONUSE OR REPRODUCTION OF THIS DRAWING FOR THE PURPOSE OF MANUFACTURING THIS  
ARTICLE OR ANY ARTICLES SHOWN FOR ANY PURPOSE IS STRICTLY PROHIBITED WITHOUT  
WRITTEN PERMISSION FROM SENIOR INDUSTRIES, INC.

A

SPECIFICATIONSELECTRICAL

CONTACT RATING:

SILVER: 5A @ 120 VAC OR 28 VDC, 2A @ 250 VAC

GOLD: 0.4 VA MAX. @ 20 V MAX. (AC OR DC)

CONTACT RESISTANCE: 10 MILLIOHMS MAX. @ 2-4 VDC

INSULATION RESISTANCE: 1,000 MEGOHMS MIN. AT 500 VDC

DIELECTRIC STRENGTH: 1,000 VRMS

MECHANICAL

LIFE: 30,000 CYCLES

ENVIRONMENTAL

OPERATING TEMPERATURE: -30°C TO +85°C

MATERIAL

CASE: GLASS FILLED NYLON 6/6, UL94V-0

BUSHING: GLASS FILLED NYLON 6/6, UL94V-0

ACTUATOR: BRASS, CHROME PLATED WITH STD INTERNAL O-RING SEAL

SWITCH SUPPORT: BRASS OR STEEL, TIN PLATED

SWITCH SUPPORT RETAINER: STAINLESS STEEL

CONTACT/TERMINALS: COPPER ALLOY, SILVER OR GOLD PLATED








B

C

REGULATORY

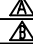
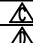
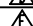
UL AND CANADA RECOGNIZED COMPONENT. UL/CUL FILE NO. E173084.


PART NUMBER BUILDER:

SERIES	MODEL NO.	ACTUATOR	BUSHING	TERMINATION	CONTACT PLATING	SEAL	VERTICAL SUPPORT BRACKET
SRST -		- 					
	909	S (STD)	E (STD - THD)		Q (SILVER)	BLANK	BLANK
	909A	T	M (STD - NON-THD)		R (GOLD)	E (EPOXY)	S20
	910	U (PLASTIC, ANTI-STATIC BLACK, .500 HIGH)		B (SOLDER LUG)			S30
	910A	V (PLASTIC, ANTI-STATIC BLACK, .300 HIGH)		C (PC MOUNT)			
	910B			D (QUICK CONNECT)			
				D1 (WIRE WRAP - .736)			
				D2 (WIRE WRAP - .953)			
				D3 (WIRE WRAP - .415)			
				D4 (WIRE WRAP - 1.062)			

D

E

DESIGNED:			SYM.	DATE	DESCRIPTION OF REVISIONS	DRAWN	APPD.
DRAWN:	GAT	02/22/10		02.22.10	NEW	GAT	JF
CHECKED:	GAT	02/22/10		.	.		
APPROVED:	JF	02/22/10		.	.		

3RD ANGLE		UNIT:	IN/mm	SCALE:		REV.	A
-----------	---	-------	-------	--------	--	------	---



TOLERANCE:

TO 2 DECIMAL PLACE: ±.01

TO 3 DECIMAL PLACES: ±.005

AS ANGLES:

SHEET:

PART NO:

SEE CHART

TITLE:

SRST 909/910  
SEALED TOGGLE SWITCH

2 OF 6

1

2

3

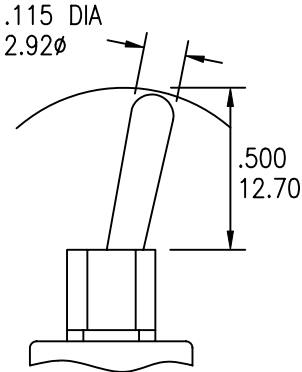
4

COMPONENT SPECIFICATION

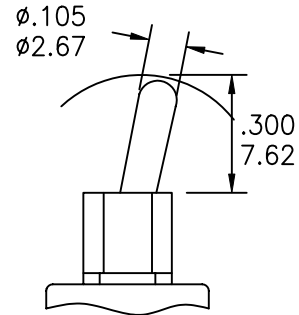
USE OR REPRODUCTION OF THIS DRAWING FOR THE PURPOSE OF MANUFACTURING THIS ARTICLE OR ANY ARTICLES SHOWN FOR ANY PURPOSE IS STRICTLY PROHIBITED WITHOUT WRITTEN PERMISSION FROM SENIOR INDUSTRIES, INC.

A

ACTUATOR OPTIONS



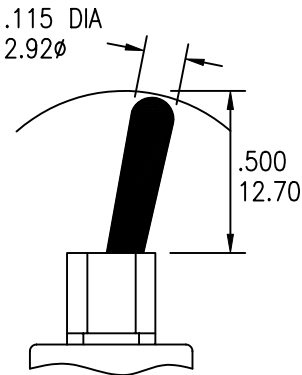
S (STD-FOR B & C TERMINATION)



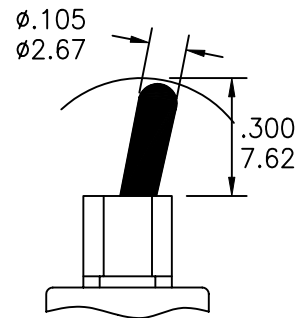
T (STD FOR S20, S30 TERMINATION)

B

C



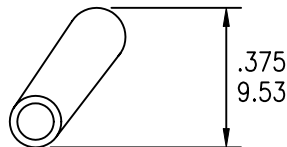
U (PLASTIC)



V (PLASTIC)

D

NOTE: OPTIONAL TOGGLE CAP AVAILABLE.



E

DESIGNED:			SYM.	DATE	DESCRIPTION OF REVISIONS	DRAWN	APPD.
DRAWN:	GAT	02/22/10	▲	02.22.10	NEW	GAT	JF
CHECKED:	GAT	02/22/10	▲	. . .			
APPROVED:	JF	02/22/10	▲	. . .			

3RD ANGLE		UNIT:	IN/mm	SCALE:	2:1	REV.	A
-----------	--	-------	-------	--------	-----	------	---

	TOLERANCE:	PART NO:	SEE CHART	
	TO 2 DECIMAL PLACE:	±.01	TITLE:	SRST 909/910
	TO 3 DECIMAL PLACES:	±.005		SEALED TOGGLE SWITCH
	AS ANGLES:			
SHEET:		3 OF 6		

1

2

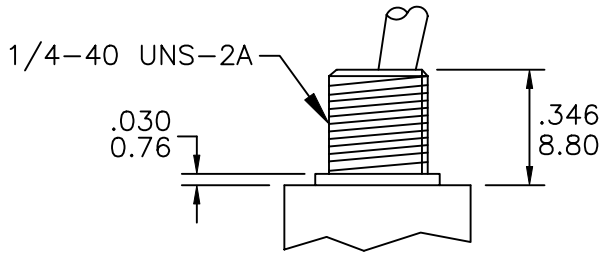
3

4

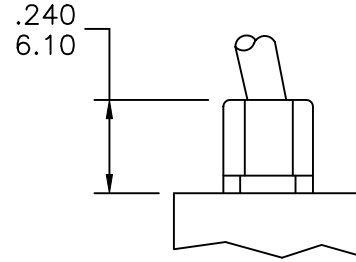
COMPONENT SPECIFICATION

USE OR REPRODUCTION OF THIS DRAWING FOR THE PURPOSE OF MANUFACTURING THIS ARTICLE OR ANY ARTICLES SHOWN FOR ANY PURPOSE IS STRICTLY PROHIBITED WITHOUT WRITTEN PERMISSION FROM SENIOR INDUSTRIES, INC.

BUSHING OPTIONS



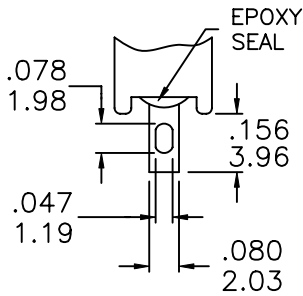
E (STD THD FOR B TERMINATION)



M (STD NON-THD FOR: C, S20, S30 TERMINATION)

TERMINATION OPTIONS

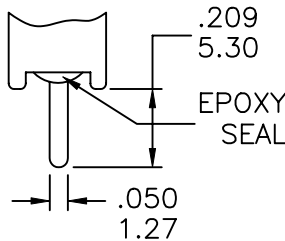
SOLDER LUG



.030 [0.76] THK

B

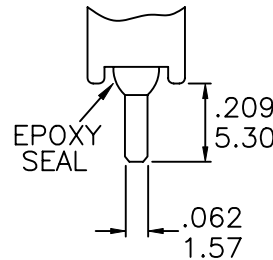
PC MOUNT



.030 [0.76] THK

C

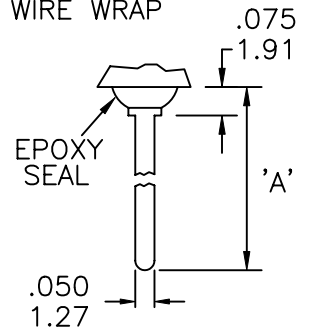
QUICK CONNECT



.030 [0.76] THK

D

WIRE WRAP

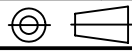


.030 [0.76] THK

'A'	
D1	.736(18.70)
D2	.953(24.20)
D3	.415(10.54)
D4	1.062(26.97)

DESIGNED:	DRAWN:	CHECKED:	APPROVED:	SYM.	DATE	DESCRIPTION OF REVISIONS	DRAWN	APPD.
	GAT	GAT	JF	△	02.22.10	NEW	GAT	JF
				△	.			
				△	.			
				△	.			

3RD ANGLE



UNIT:

IN/mm

SCALE:

2:1

REV.

A



TOLERANCE:

TO 2 DECIMAL PLACE:	±.01
TO 3 DECIMAL PLACES:	±.005
AS ANGLES:	

PART NO:

SEE CHART

TITLE:

SRST 909/910  
SEALED TOGGLE SWITCH

SHEET:

4 OF 6

1

2

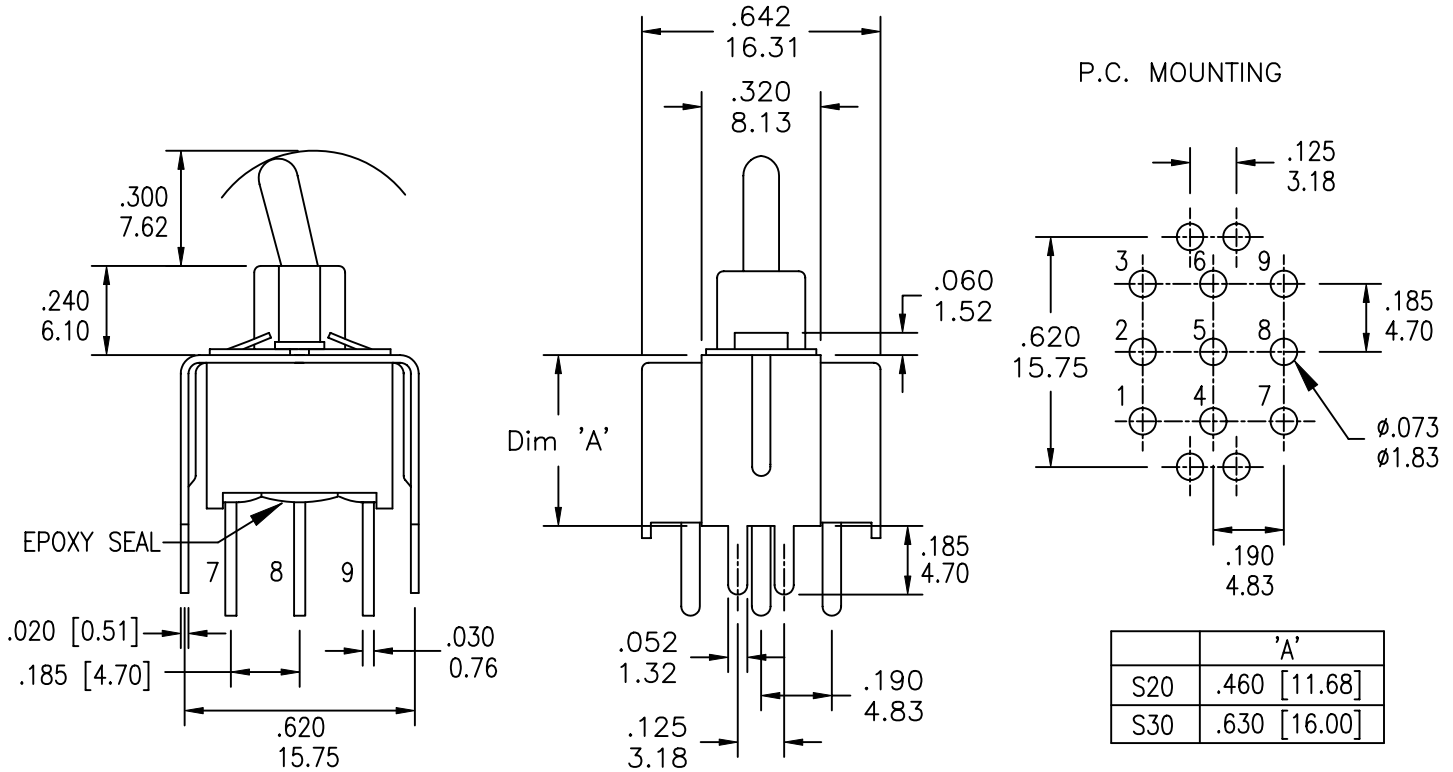
3

4

COMPONENT SPECIFICATION

USE OR REPRODUCTION OF THIS DRAWING FOR THE PURPOSE OF MANUFACTURING THIS ARTICLE OR ANY ARTICLES SHOWN FOR ANY PURPOSE IS STRICTLY PROHIBITED WITHOUT WRITTEN PERMISSION FROM SENIOR INDUSTRIES, INC.

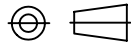
VERTICAL SUPPORT BRACKET



PART SHOWN: SRST-909-TMCRES20

DESIGNED:			SYM.	DATE	DESCRIPTION OF REVISIONS	DRAWN	APPD.
DRAWN:	GAT	02/22/10	▲	02.22.10	NEW	GAT	JF
CHECKED:	GAT	02/22/10	▲	.	.		
APPROVED:	JF	02/22/10	▲	.	.		

3RD ANGLE



UNIT:

IN/mm

SCALE:

2:1

REV.

A



SENIOR INDUSTRIES, INC.

TOLERANCE:

TO 2 DECIMAL PLACE:	±.01
TO 3 DECIMAL PLACES:	±.005
AS ANGLES:	

PART NO:

SEE CHART

TITLE:

SRST 909/910  
SEALED TOGGLE SWITCH

SHEET:

5 OF 6

1

2

3

4

COMPONENT SPECIFICATION

USE OR REPRODUCTION OF THIS DRAWING FOR THE PURPOSE OF MANUFACTURING THIS ARTICLE OR ANY ARTICLES SHOWN FOR ANY PURPOSE IS STRICTLY PROHIBITED WITHOUT WRITTEN PERMISSION FROM SENIOR INDUSTRIES, INC.

A

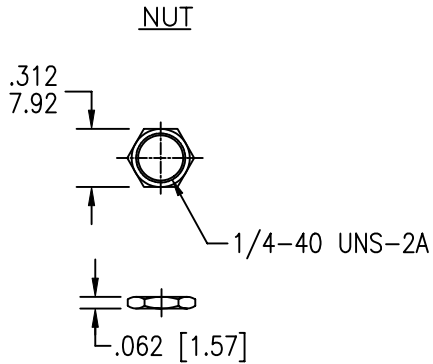
B

C

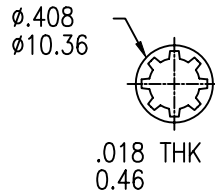
D

E

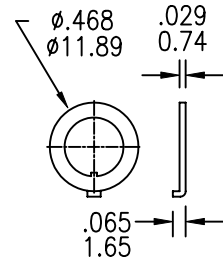
STANDARD HARDWARE



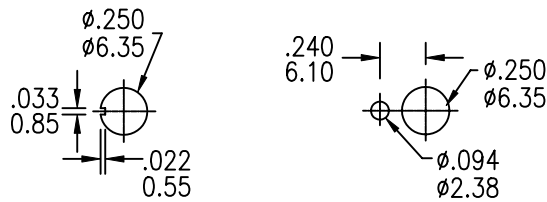
**LOCK WASHER**



**LOCKING RING**



PANEL MOUNTING



DESIGNED:			SYM.	DATE	DESCRIPTION OF REVISIONS	DRAWN	APPD.
DRAWN:	GAT	02/22/10	△	02.22.10	NEW	GAT	JF
CHECKED:	GAT	02/22/10	△	. .			
APPROVED:	JF	02/22/10	△	. .			

3RD ANGLE		UNIT:	IN/mm	SCALE:	1:1	REV.	A
-----------	--	-------	-------	--------	-----	------	---



TOLERANCE:	PART NO:
TO 2 DECIMAL PLACE: ±.01	SEE CHART
TO 3 DECIMAL PLACES: ±.005	TITLE: SRST 909/910
AS ANGLES:	SEALED TOGGLE SWITCH
SHEET:	6 OF 6