

1 COMPONENT SPECIFICATION	2 USE OR REPRODUCTION OF THIS DRAWING FOR THE PURPOSE OF MANUFACTURING THIS ARTICLE OR ANY ARTICLES SHOWN FOR ANY PURPOSE IS STRICTLY PROHIBITED WITHOUT WRITTEN PERMISSION FROM SENIOR INDUSTRIES, INC.	3	4
------------------------------	---	---	---

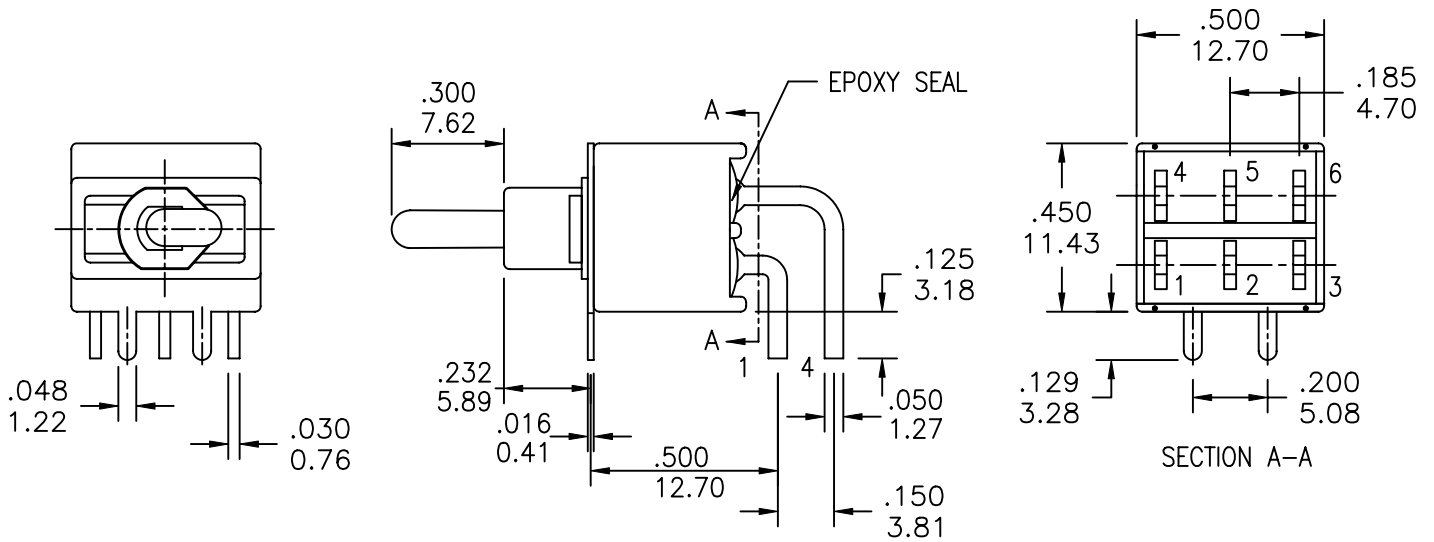
A

B

C

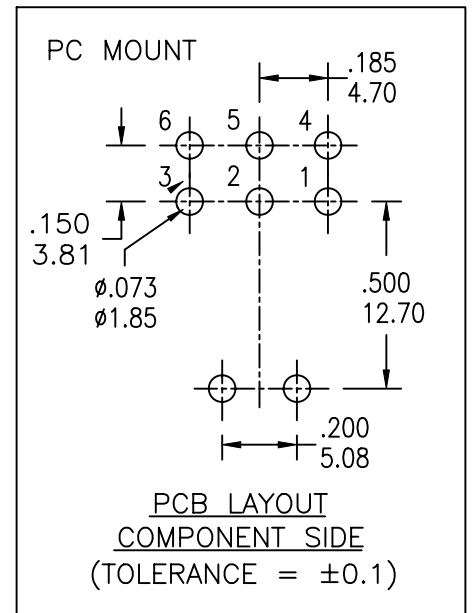
D

E



PART SHOWN: SRST-921-TMCQE

MODEL NO.	SWITCHING POSITION		
921	ON	NONE	ON
921A	ON	NONE	MOM
922	ON	OFF	ON
922A	MOM	OFF	MOM
922B	ON	OFF	MOM
CONN. TERMS	2-3 5-6	OPEN	2-1 5-4
SCHEMATIC			
922C	ON	ON	ON
CONN. TERMS	2-3 5-6	2-3 5-4	2-1 5-4



DESIGNED:			SYM.	DATE	DESCRIPTION OF REVISIONS	DRAWN	APPD.
DRAWN:	GAT	01/11/10		01.11.10	NEW	GAT	JF
CHECKED:	GAT	01/11/10		.	.		
APPROVED:	JF	01/11/10		.	.		

3RD ANGLE		UNIT:	IN/mm	SCALE:	1:1	REV.	A
-----------	--	-------	-------	--------	-----	------	---



TOLERANCE:	PART NO:
TO 2 DECIMAL PLACE: ±.01	SEE CHART
TO 3 DECIMAL PLACES: ±.005	TITLE: SRST 921/922 RIGHT ANGLE SEALED TOGGLE SWITCH
AS ANGLES:	
SHEET:	1 OF 3

1

2

3

4

COMPONENT
SPECIFICATIONUSE OR REPRODUCTION OF THIS DRAWING FOR THE PURPOSE OF MANUFACTURING THIS
ARTICLE OR ANY ARTICLES SHOWN FOR ANY PURPOSE IS STRICTLY PROHIBITED WITHOUT
WRITTEN PERMISSION FROM SENIOR INDUSTRIES, INC.SPECIFICATIONSELECTRICAL

CONTACT RATING:

SILVER: 5A @ 120 VAC OR 28 VDC, 2A @ 250 VAC

GOLD: 0.4 VA MAX. @ 20 V MAX. (AC OR DC)

CONTACT RESISTANCE: 10 MILLIOHMS MAX. @ 2-4 VDC

INSULATION RESISTANCE: 1,000 MEGOHMS MIN. AT 500 VDC

DIELECTRIC STRENGTH: 1,000 VRMS

MECHANICAL

LIFE: 30,000 CYCLES

ENVIRONMENTAL

OPERATING TEMPERATURE: -30°C TO +85°C

MATERIAL

CASE: GLASS FILLED NYLON 6/6, UL94V-0

BUSHING: GLASS FILLED NYLON 6/6, UL94V-0

ACTUATOR: BRASS, CHROME PLATED WITH STD INTERNAL O-RING SEAL

SWITCH SUPPORT: BRASS OR STEEL, TIN PLATED

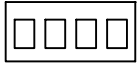
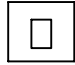
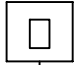
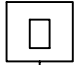
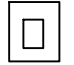
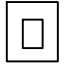
SWITCH SUPPORT RETAINER: STAINLESS STEEL

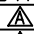
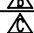
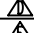
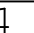
CONTACT/TERMINALS: COPPER ALLOY, SILVER OR GOLD PLATED

REGULATORY

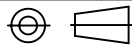
UL AND CANADA RECOGNIZED COMPONENT. UL/CUL FILE NO. E173084.

PART NUMBER BUILDER:

SERIES	MODEL NO.	ACTUATOR	BUSHING	TERMINATION	CONTACT PLATING	SEAL	
SRST -		-					
	921	S					
	921A	T (STD)	M (STD - NON-THD)		Q (SILVER)	BLANK	
	922				R (GOLD)	E (EPOXY)	
	922A						
	922B						
	922C			C (RIGHT ANGLE, PC MOUNT)			

DESIGNED:			SYM.	DATE	DESCRIPTION OF REVISIONS	DRAWN	APPD.
				01.11.10	NEW	GAT	JF
DRAWN:	GAT	01/11/10		. .			
CHECKED:	GAT	01/11/10		. .			
APPROVED:	JF	01/11/10		. .			

3RD ANGLE



UNIT:

IN/mm

SCALE:

REV.

A

**SENIOR
INDUSTRIES, INC.**

TOLERANCE:

TO 2 DECIMAL PLACE: ±.01

TO 3 DECIMAL PLACES: ±.005

AS ANGLES:

SHEET:

PART NO:

SEE CHART

TITLE: SRST 921/922 RIGHT
ANGLE SEALED TOGGLE SWITCH

2 OF 3

1

2

3

4

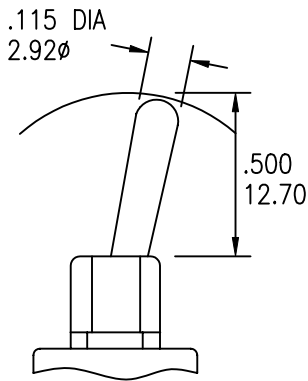
COMPONENT SPECIFICATION

USE OR REPRODUCTION OF THIS DRAWING FOR THE PURPOSE OF MANUFACTURING THIS ARTICLE OR ANY ARTICLES SHOWN FOR ANY PURPOSE IS STRICTLY PROHIBITED WITHOUT WRITTEN PERMISSION FROM SENIOR INDUSTRIES, INC.

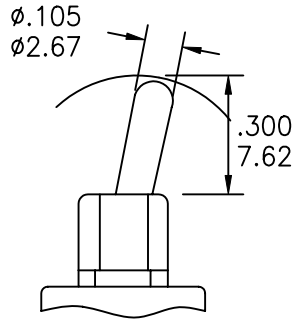
A

ACTUATOR OPTIONS

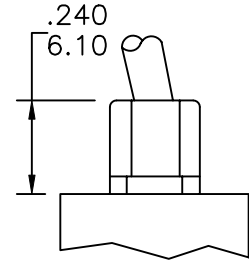
BUSHING OPTIONS



S



T (STANDARD)



M (STD NON-THD)

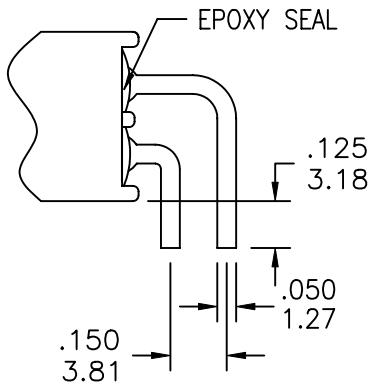
B

C

TERMINATION OPTIONS

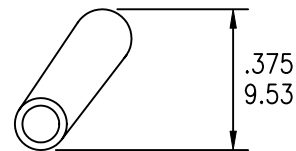
NOTE: OPTIONAL TOGGLE CAP AVAILABLE.

PC MOUNT



THK .030 [0.76]

C



D

E

DESIGNED:			SYM.	DATE	DESCRIPTION OF REVISIONS	DRAWN	APPD.
DRAWN:	GAT	01/11/10	△	01.11.10	NEW	GAT	JF
CHECKED:	GAT	01/11/10	△	. . .			
APPROVED:	JF	01/11/10	△	. . .			

3RD ANGLE		UNIT:	IN/mm	SCALE:	1:1	REV.	A
-----------	--	-------	-------	--------	-----	------	---



TOLERANCE:	PART NO:	SEE CHART
TO 2 DECIMAL PLACE: ±.01	TITLE:	SRST 921/922 RIGHT ANGLE SEALED TOGGLE SWITCH
TO 3 DECIMAL PLACES: ±.005		
AS ANGLES:		
SHEET:		3 OF 3