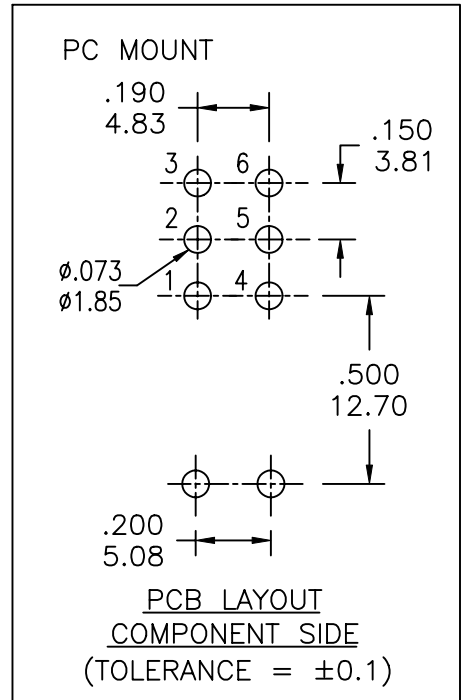


PART SHOWN: SRST-923-TMCQE

MODEL NO.	SWITCHING POSITION		
923	ON	NONE	ON
923A	ON	NONE	MOM
924	ON	OFF	ON
924A	MOM	OFF	MOM
924B	ON	OFF	MOM
CONN. TERMS	2-3 5-6	OPEN	2-1 5-4
SCHEMATIC	DPDT		
924C	ON	ON	ON
CONN. TERMS	2-3 5-6	2-3 5-4	2-1 5-4



DESIGNED:			SYM.	DATE	DESCRIPTION OF REVISIONS	DRAWN	APPD.
DRAWN:	GAT	02/04/10		02.04.10	NEW	GAT	JF
CHECKED:	GAT	02/04/10		.	.		
APPROVED:	JF	02/04/10		.	.		

3RD ANGLE		UNIT:	IN/mm	SCALE:	1:1	REV.	A
-----------	--	-------	-------	--------	-----	------	---



TOLERANCE:	PART NO:	SEE CHART
TO 2 DECIMAL PLACE: $\pm .01$	TITLE:	SRST 923/924 VERTICAL RIGHT ANGLE SEALED TOGGLE SWITCH
TO 3 DECIMAL PLACES: $\pm .005$		
AS ANGLES:		
SHEET:		1 OF 3

1

2

3

4

COMPONENT  
SPECIFICATIONUSE OR REPRODUCTION OF THIS DRAWING FOR THE PURPOSE OF MANUFACTURING THIS  
ARTICLE OR ANY ARTICLES SHOWN FOR ANY PURPOSE IS STRICTLY PROHIBITED WITHOUT  
WRITTEN PERMISSION FROM SENIOR INDUSTRIES, INC.SPECIFICATIONSELECTRICAL

CONTACT RATING:

SILVER: 5A @ 120 VAC OR 28 VDC, 2A @ 250 VAC

GOLD: 0.4 VA MAX. @ 20 V MAX. (AC OR DC)

CONTACT RESISTANCE: 10 MILLIOHMS MAX. @ 2-4 VDC

INSULATION RESISTANCE: 1,000 MEGOHMS MIN. AT 500 VDC

DIELECTRIC STRENGTH: 1,000 VRMS

MECHANICAL

LIFE: 30,000 CYCLES

ENVIRONMENTAL

OPERATING TEMPERATURE: -30°C TO +85°C

MATERIAL

CASE: GLASS FILLED NYLON 6/6, UL94V-0

BUSHING: GLASS FILLED NYLON 6/6, UL94V-0

ACTUATOR: BRASS, CHROME PLATED WITH STD INTERNAL O-RING SEAL

SWITCH SUPPORT: BRASS OR STEEL, TIN PLATED




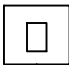
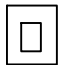
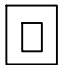
SWITCH SUPPORT RETAINER: STAINLESS STEEL

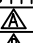

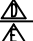

CONTACT/TERMINALS: COPPER ALLOY, SILVER OR GOLD PLATED

REGULATORY

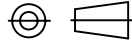
UL AND CANADA RECOGNIZED COMPONENT. UL/CUL FILE NO. E173084.

PART NUMBER BUILDER:

SERIES	MODEL NO.	ACTUATOR	BUSHING	TERMINATION	CONTACT PLATING	SEAL	
SRST -		-					
	923 923A 924 924A 924B 924C	S T (STD)	M (STD NON-THD)	C (VERTICAL RIGHT ANGLE, PC MOUNT)	Q (SILVER) R (GOLD)	BLANK E (EPOXY)	

DESIGNED:	DRAWN:	CHECKED:	APPROVED:	SYM.	DATE	DESCRIPTION OF REVISIONS	DRAWN	APPD.
	GAT	GAT	JF		02.04.10	NEW	GAT	JF
					.			
					.			
					.			

3RD ANGLE



UNIT:

IN/mm

SCALE:

REV.

A

TOLERANCE:

PART NO:

SEE CHART

TO 2 DECIMAL PLACE: ±

TITLE:

TO 3 DECIMAL PLACES: ±

SRST 923/924 VERTICAL RIGHT  
ANGLE SEALED TOGGLE SWITCH

AS ANGLES: ±

SHEET:

2 OF 3


**SENIOR  
INDUSTRIES, INC.**

1

2

3

4

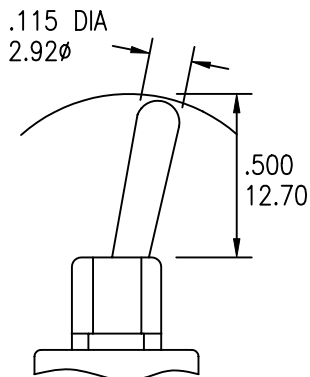
COMPONENT SPECIFICATION

USE OR REPRODUCTION OF THIS DRAWING FOR THE PURPOSE OF MANUFACTURING THIS ARTICLE OR ANY ARTICLES SHOWN FOR ANY PURPOSE IS STRICTLY PROHIBITED WITHOUT WRITTEN PERMISSION FROM SENIOR INDUSTRIES, INC.

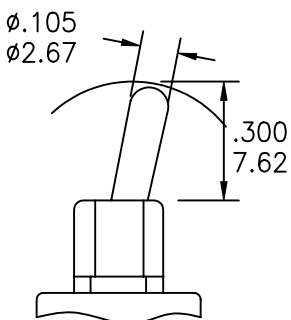
A

ACTUATOR OPTIONS

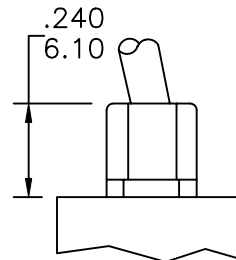
BUSHING OPTIONS



S



T (STANDARD)



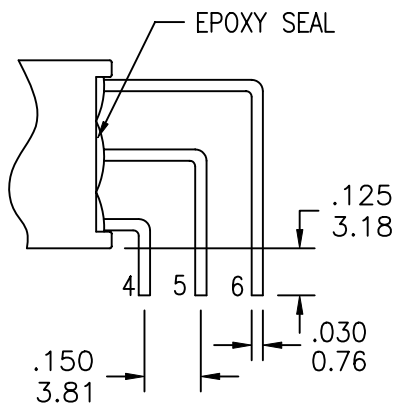
M (STD NON-THD)

B

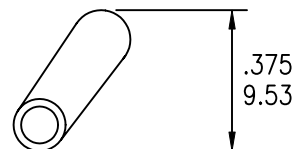
TERMINATION OPTIONS

NOTE: OPTIONAL TOGGLE CAP AVAILABLE.

PC MOUNT



C THK .050 [1.27]



C

D

E

DESIGNED:			SYM.	DATE	DESCRIPTION OF REVISIONS	DRAWN	APPD.
DRAWN:	GAT	02/04/10	▲	02.04.10	NEW	GAT	JF
CHECKED:	GAT	02/04/10	▲	. . .			
APPROVED:	JF	02/04/10	▲	. . .			

3RD ANGLE		UNIT:	IN/mm	SCALE:	1:1	REV.	A
-----------	--	-------	-------	--------	-----	------	---



TOLERANCE:	PART NO:	SEE CHART
TO 2 DECIMAL PLACE: ±.01	TITLE:	SRST 923/924 VERTICAL RIGHT ANGLE SEALED TOGGLE SWITCH
TO 3 DECIMAL PLACES: ±.005		
AS ANGLES:		
SHEET:	3 OF 3	