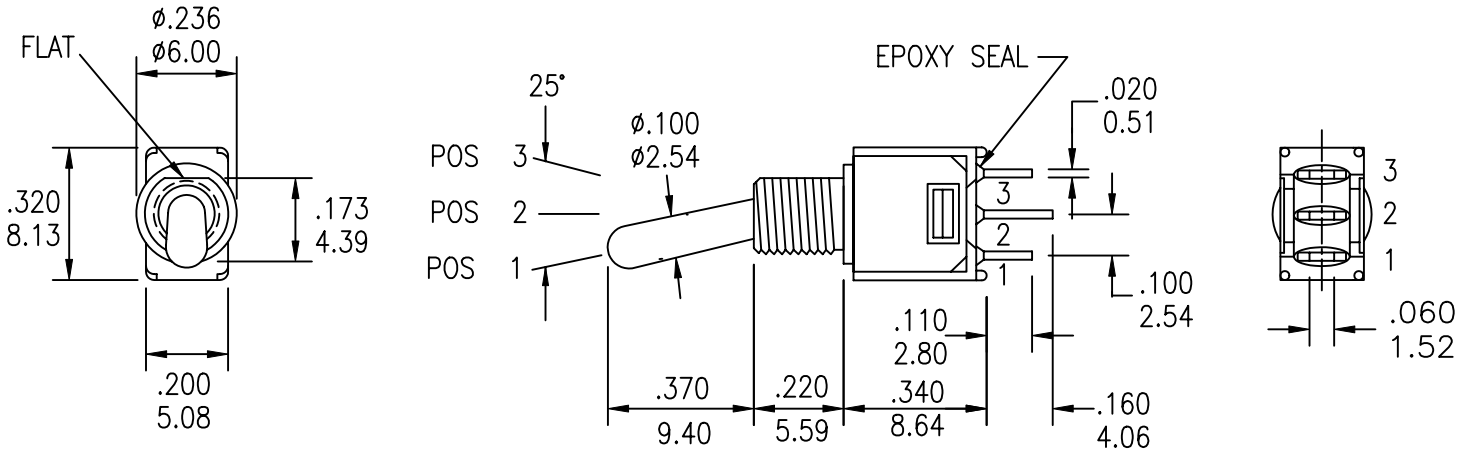


UNLESS OTHERWISE SPECIFIED, ALL DIMENSIONS ARE IN INCHES [MM].

TO 1 DECIMAL PLACE ±.2
 TO 2 DECIMAL PLACES ±.10
 AS ANGLES ±

ISSUE	DATE
A	03/13/01
B	03/04/10

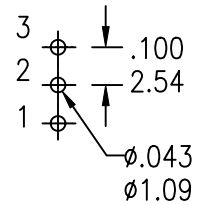


PART SHOWN: SRST-TS4-SEBQE

MODEL NO.	SWITCHING POSITION		
TS4	ON	NONE	ON
TS4A	ON	OFF	ON
TS4B	ON	NONE	MOM
TS4C	MOM	OFF	MOM
TS4D	ON	OFF	MOM
CONN. TERMS	2-3	OPEN	2-1
SCHEMATIC	SPDT		

NON-SHORTING TYPE

FOR PC MOUNT TERMINATION ONLY



PCB LAYOUT
 COMPONENT SIDE
 (TOLERANCE = ±0.1)

UNLESS OTHERWISE SPECIFIED, ALL DIMENSIONS ARE IN INCHES [MM].

TO 1 DECIMAL PLACE ±.2
 TO 2 DECIMAL PLACES ±.10
 AS ANGLES ±

ISSUE	DATE
A	03/13/01
B	03/04/10

SPECIFICATIONS

ELECTRICAL

CONTACT RATING:

SILVER: 3A @ 120 VAC OR 28 VDC, 1A @ 250 VAC

GOLD: 0.4 VA MAX. @ 20 V MAX. (AC OR DC)

CONTACT RESISTANCE: 20 MILLIOHMS MAX.

INSULATION RESISTANCE: 1,000 MEGOHMS MIN. AT 500 VDC

DIELECTRIC STRENGTH: 1,000 VRMS

MECHANICAL

LIFE: 30,000 CYCLES

ENVIRONMENTAL

OPERATING TEMPERATURE: -30°C TO +85°C

MATERIAL

CASE: DAP, UL94V-0

HOUSING: STAINLESS STEEL

ACTUATOR: BRASS, CHROME PLATED

BUSHING: BRASS, NICKEL PLATED

SWITCH SUPPORT: BRASS, TIN PLATED

CONTACT/TERMINALS: BRASS, SILVER OR GOLD PLATED

REGULATORY

UL AND CANADA RECOGNIZED COMPONENT. UL/CUL FILE NO. E173084.

PART NUMBER BUILDER:

SERIES	MODEL NO.	ACTUATOR	BUSHING	TERMINATION	CONTACT PLATING	SEAL	VERTICAL SUPPORT BRACKET
SRST	- [] [] [] [] [] []	- []	[]	[]	[]	[]	[]
	TS4	S (STD)	E (STD - THD)		Q (SILVER)	BLANK	BLANK
	TS4A	T	E1 (STD - NON-THD)		R (GOLD)	E (EPOXY)	A5
	TS4B	U	F (THD)	B (SOLDER LUG)			A6
	TS4C	V	F1 (NON-THD)	C (PC MOUNT)			
	TS4D	X	G (THD)				
			G1 (NON-THD)				
			H (THD)				
			H1 (NON-THD)				
			J (THD)				
			J1 (NON-THD)				



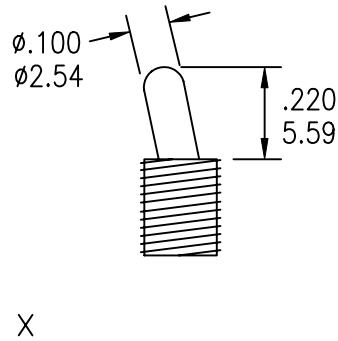
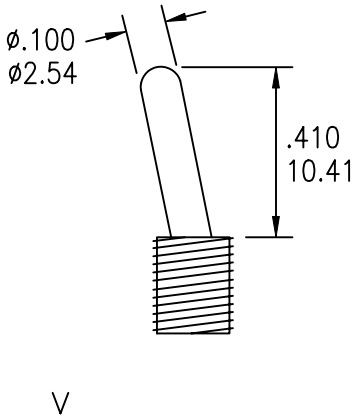
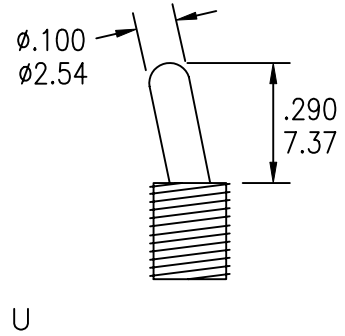
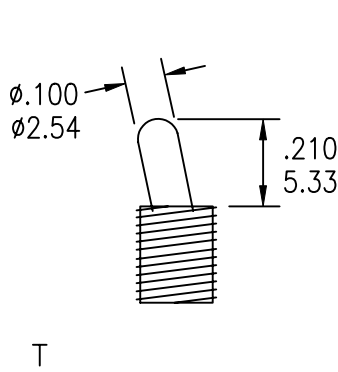
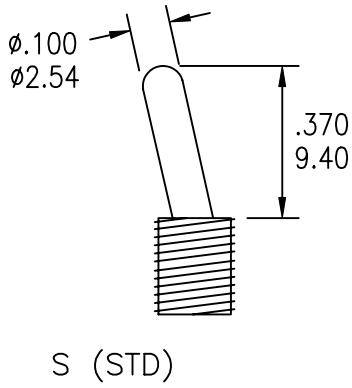
TITLE: TOGGLE SWITCH		PART NO: SRST-TS4X-XXXXXX			
DATE: 03/13/01	DRAWN: RB	CHKD: GAT	SCALE:	SHEET: 2 OF 6	

UNLESS OTHERWISE SPECIFIED, ALL DIMENSIONS ARE IN INCHES [MM].

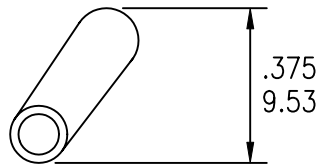
TO 1 DECIMAL PLACE ±.2
 TO 2 DECIMAL PLACES ±.10
 AS ANGLES ±

ISSUE	DATE
A	03/13/01
B	03/04/10

ACTUATOR OPTIONS



NOTE: OPTIONAL TOGGLE CAP AVAILABLE.

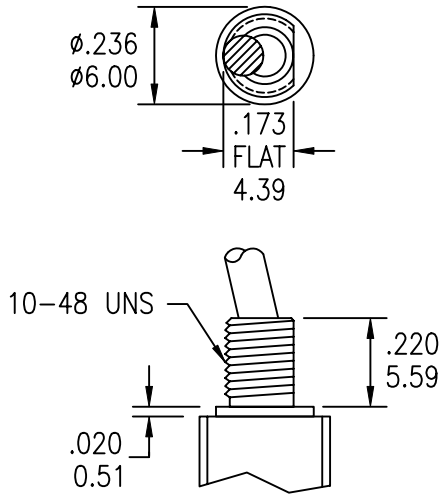


UNLESS OTHERWISE SPECIFIED, ALL DIMENSIONS ARE IN INCHES [MM].

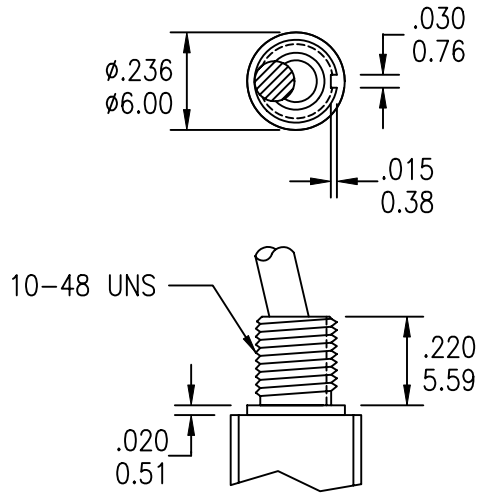
TO 1 DECIMAL PLACE ±.2
 TO 2 DECIMAL PLACES ±.10
 AS ANGLES ±

ISSUE	DATE
A	03/13/01
B	03/04/10

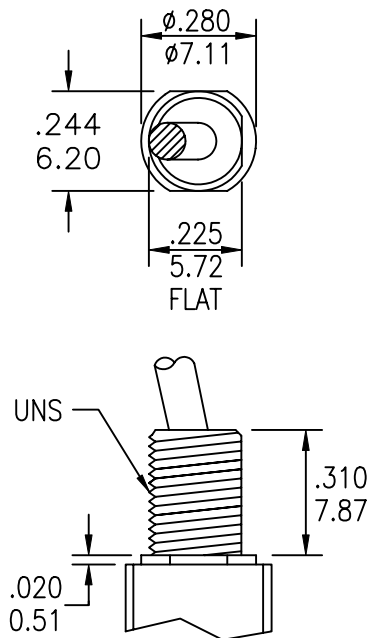
BUSHING OPTIONS



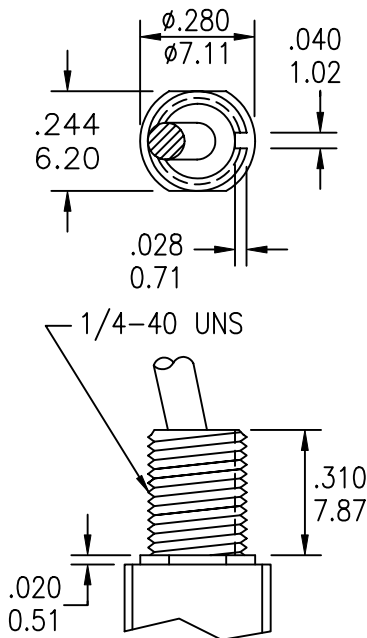
E (STD THD)
 E1 (STD NON-THD)



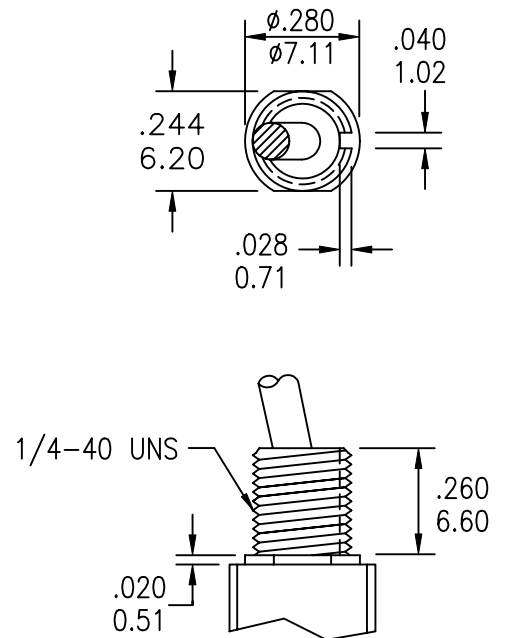
F (THD)
 F1 (NON-THD)



G (THD)
 G1 (NON-THD)



H (THD)
 H1 (NON-THD)



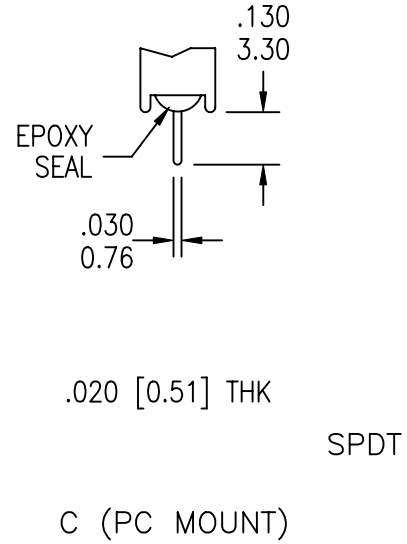
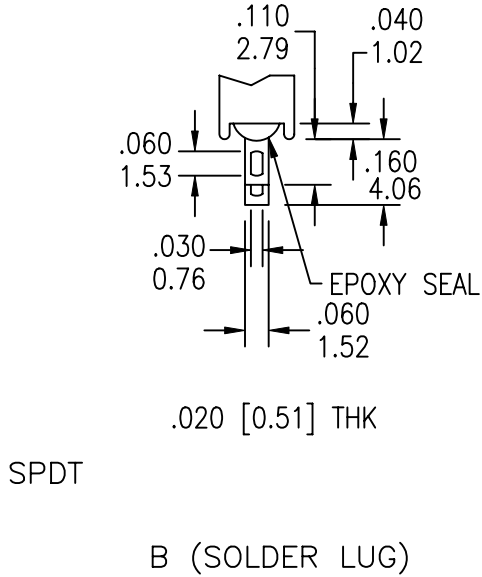
J (THD)
 J1 (NON-THD)

UNLESS OTHERWISE SPECIFIED, ALL DIMENSIONS ARE IN INCHES [MM].

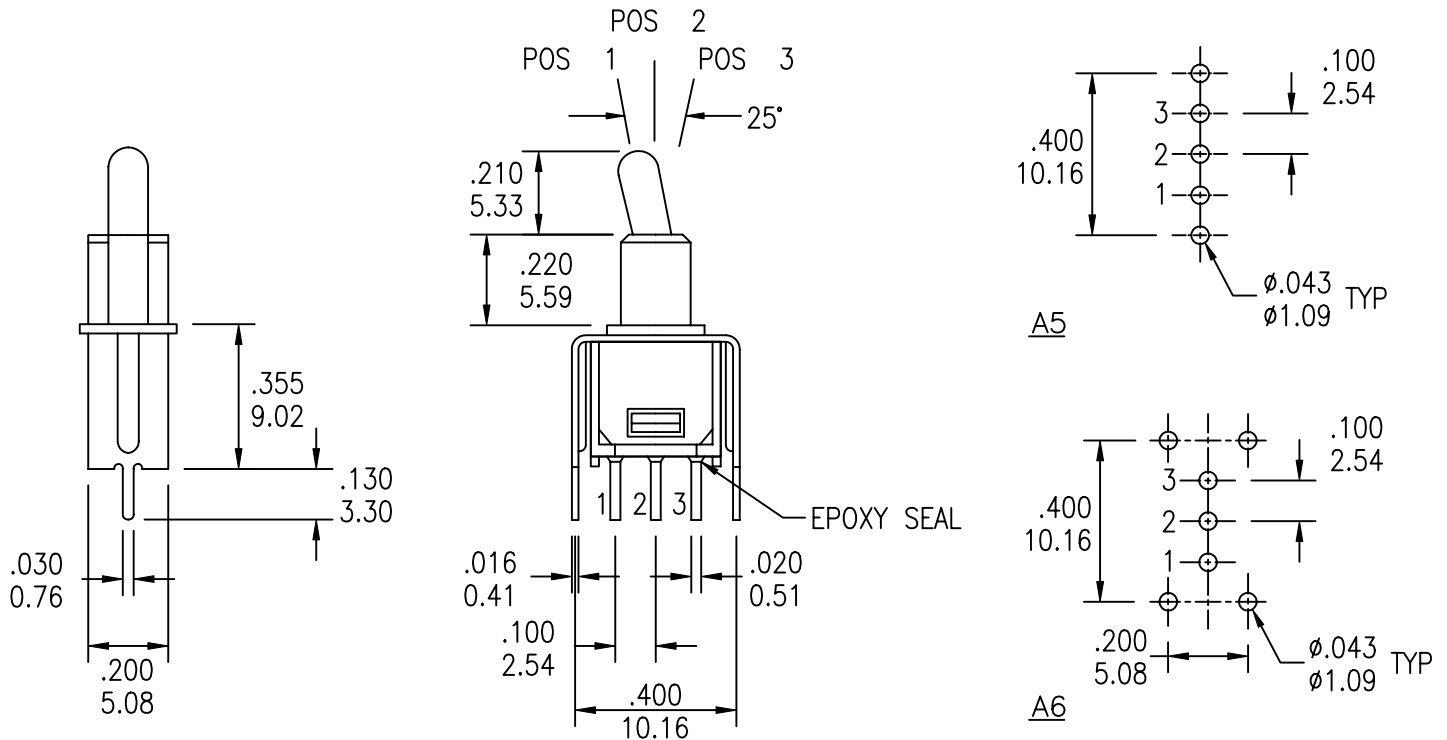
TO 1 DECIMAL PLACE ±.2
 TO 2 DECIMAL PLACES ±.10
 AS ANGLES ±

ISSUE	DATE
A	03/13/01
B	03/04/10

TERMINATION OPTIONS



VERTICAL SUPPORT BRACKET

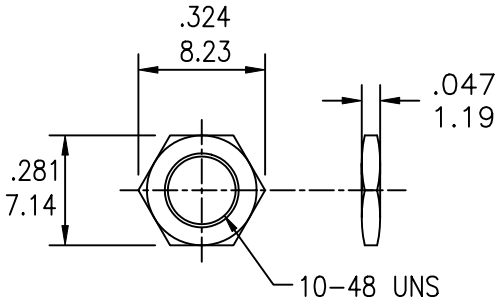


UNLESS OTHERWISE SPECIFIED, ALL DIMENSIONS ARE IN INCHES [MM].

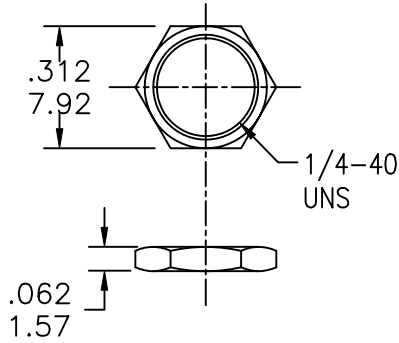
TO 1 DECIMAL PLACE ±.2
 TO 2 DECIMAL PLACES ±.10
 AS ANGLES ±

ISSUE	DATE
A	03/13/01
B	03/04/10

STANDARD NUT

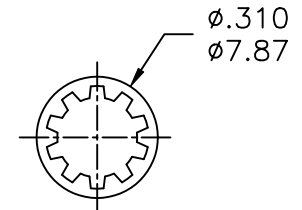


STD FOR E, E1, F,
AND F1 OPTIONS.



STD FOR G, G1, H,
H1, J, AND J1 OPTIONS.

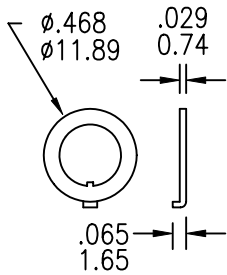
STANDARD LOCK WASHER



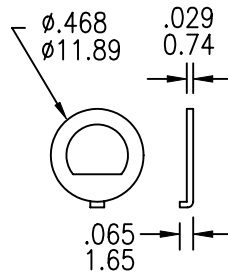
.018 [0.46] THK

STD FOR E, E1, F,
AND F1 OPTIONS.

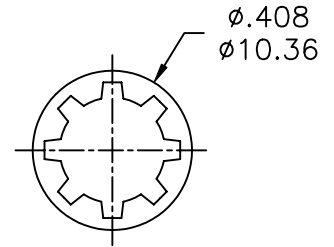
LOCKING RING
SCALE 1:1



STD FOR F, F1, H,
H1, J, AND J1 OPTIONS.



STD FOR E, E1, G,
AND G1 OPTIONS.

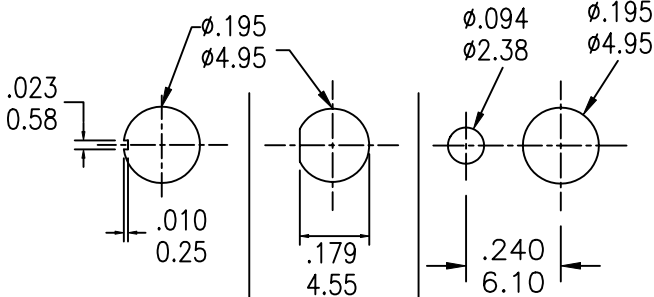


.018 [0.46] THK

STD FOR G, G1, H,
H1, J, AND J1 OPTIONS.

PANEL MOUNTING

10-48 BUSHING

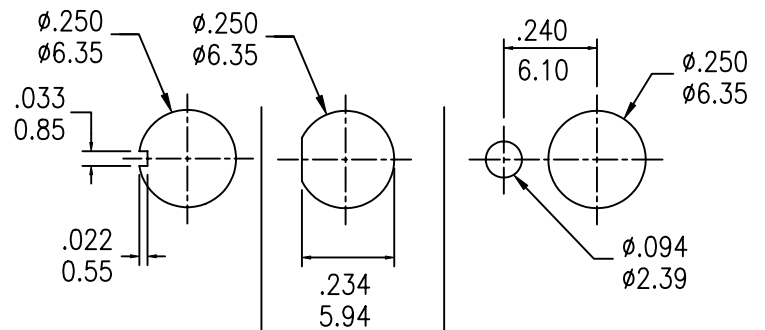


FOR F AND
F1 OPTIONS

FOR E AND
E1 OPTIONS

FOR USE WITH
LOCKING RING

1/4 IN. BUSHING



FOR H, H1, J,
AND J1 OPTIONS

FOR G AND
G1 OPTIONS

FOR USE WITH
LOCKING RING