

UNLESS OTHERWISE SPECIFIED, ALL DIMENSIONS ARE IN INCHES [MM].

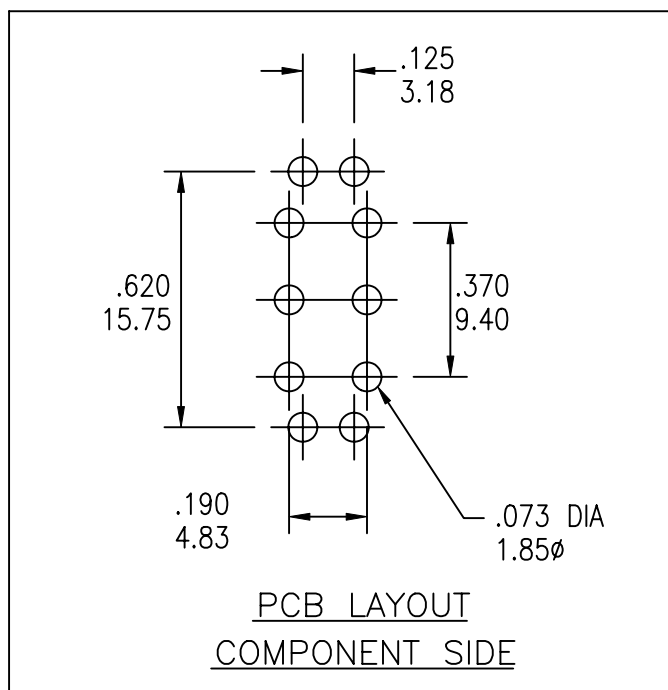
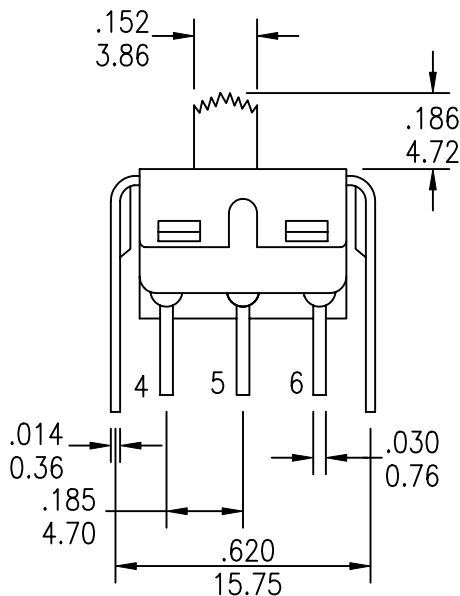
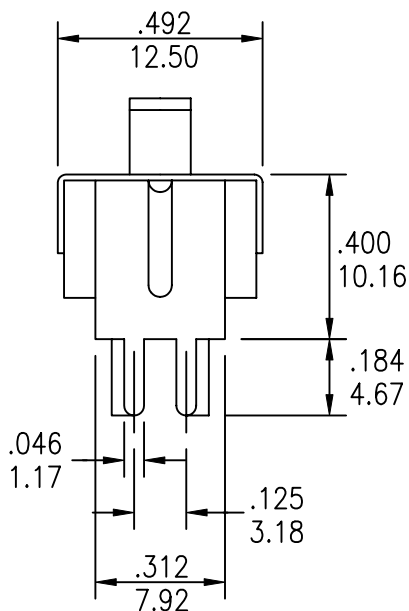
TO 1 DECIMAL PLACE ±.2
 TO 2 DECIMAL PLACES ±.10
 AS ANGLES ±

ISSUE

DATE

A

03/08/01



MODEL NO.	SWITCHING FUNCTION		
TS11F	ON	NONE	ON
TS11AF	ON	OFF	ON
CONN. TERMS	2-1 5-4	OPEN	2-3 5-6
SCHEMATIC	DPDT		

NON-SHORTING TYPE



TITLE: SLIDE SWITCH

PART NO: SRS-TS11XF-XXXX

DATE: 03/05/01

DRAWN: RB

CHKD:

SCALE: 2/1

SHEET: 1 OF 3

UNLESS OTHERWISE SPECIFIED, ALL DIMENSIONS ARE IN INCHES [MM].

TO 1 DECIMAL PLACE ±.2
 TO 2 DECIMAL PLACES ±.10
 AS ANGLES ±

ISSUE

DATE

A

03/08/01

SPECIFICATIONS

ELECTRICAL

CONTACT RATING:

SILVER: 5A @ 120 VAC OR 28 VDC, 2A @ 250 VAC

GOLD: 0.4 VA MAX. @ 20 V MAX. (AC OR DC)

CONTACT RESISTANCE: 10 MILLIOHMS MAX.

INSULATION RESISTANCE: 1,000 MEGOHMS MIN. AT 500 VDC

DIELECTRIC STRENGTH: 1,000 VRMS

MECHANICAL

LIFE: 30,000 CYCLES

ENVIRONMENTAL

OPERATING TEMPERATURE: -30°C TO +85°C

MATERIAL

CASE: DAP, UL94V-0

HOUSING: STAINLESS STEEL

ACTUATOR: NYLON

CONTACTS/TERMINALS: COPPER ALLOY, SILVER OR GOLD PLATED

REGULATORY

UL AND CANADA RECOGNIZED COMPONENT. UL/CUL FILE NO. E173084.

SERIES	MODEL NO.	ACTUATOR	COLOR	CONTACT PLATING	SEAL
SRS	<div style="display: flex; justify-content: space-around; align-items: center;"> <div style="border: 1px solid black; width: 15px; height: 15px; margin: 2px;"></div> <div style="border: 1px solid black; width: 15px; height: 15px; margin: 2px;"></div> <div style="border: 1px solid black; width: 15px; height: 15px; margin: 2px;"></div> <div style="border: 1px solid black; width: 15px; height: 15px; margin: 2px;"></div> <div style="border: 1px solid black; width: 15px; height: 15px; margin: 2px;"></div> </div>	<div style="border: 1px solid black; width: 15px; height: 15px; margin: 2px;"></div>	<div style="border: 1px solid black; width: 15px; height: 15px; margin: 2px;"></div>	<div style="border: 1px solid black; width: 15px; height: 15px; margin: 2px;"></div>	<div style="border: 1px solid black; width: 15px; height: 15px; margin: 2px;"></div>
	TS11F	S	1 BLUE	Q SILVER	BLANK
	TS11AF	A	2 RED	R GOLD	E EPOXY
		B	3 BLACK		
		C	4 BROWN		
			5 GREEN		
			6 WHITE		
			7 GRAY		
			8 ORANGE		
			9 YELLOW		
			0 VIOLET		



TITLE: SLIDE SWITCH

PART NO: SRS-TS11XF-XXXX

DATE: 03/05/01

DRAWN: RB

CHKD:

SCALE: N/A

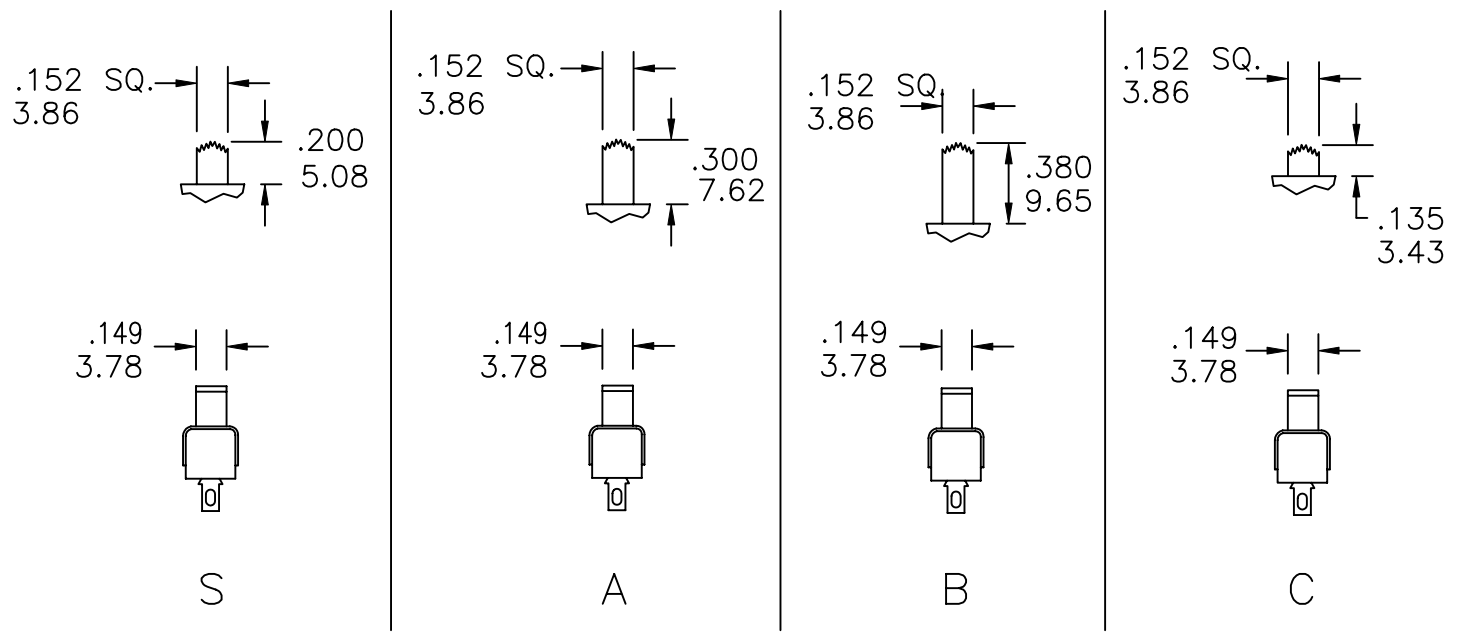
SHEET: 2 OF 3

UNLESS OTHERWISE SPECIFIED, ALL DIMENSIONS ARE IN INCHES [MM].

TO 1 DECIMAL PLACE ±.2
 TO 2 DECIMAL PLACES ±.10
 AS ANGLES ±

ISSUE	DATE
A	03/08/01

ACTUATOR OPTIONS



TITLE: SLIDE SWITCH		PART NO: SRS-TS11XF-XXXX		
DATE: 03/05/01	DRAWN: RB	CHKD:	SCALE: N/A	SHEET: 3 OF 3