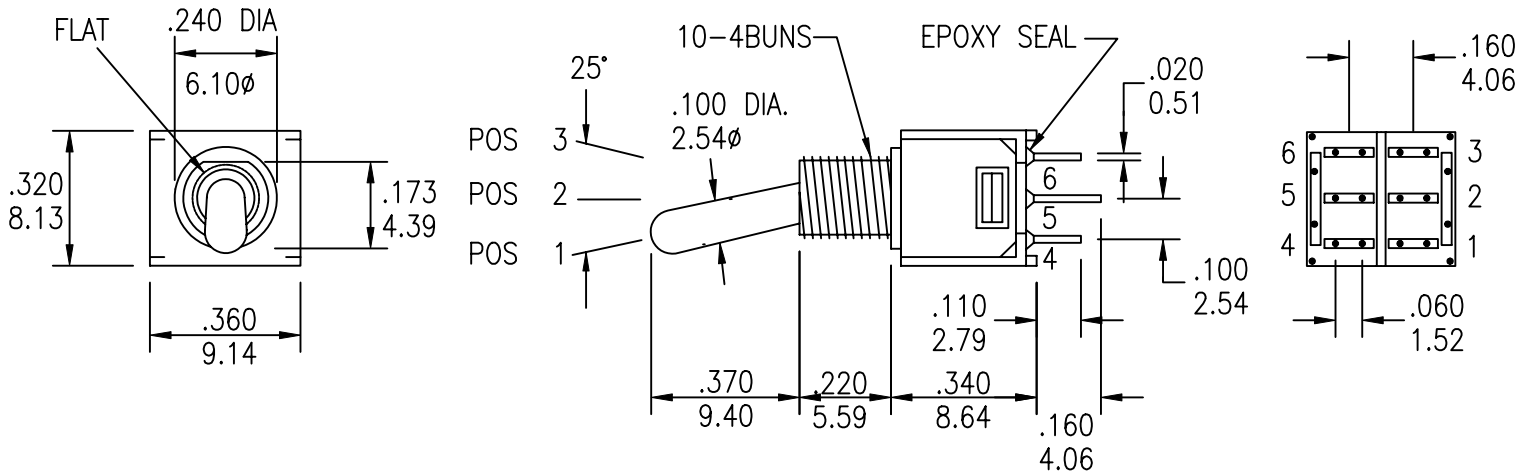



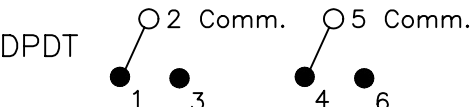


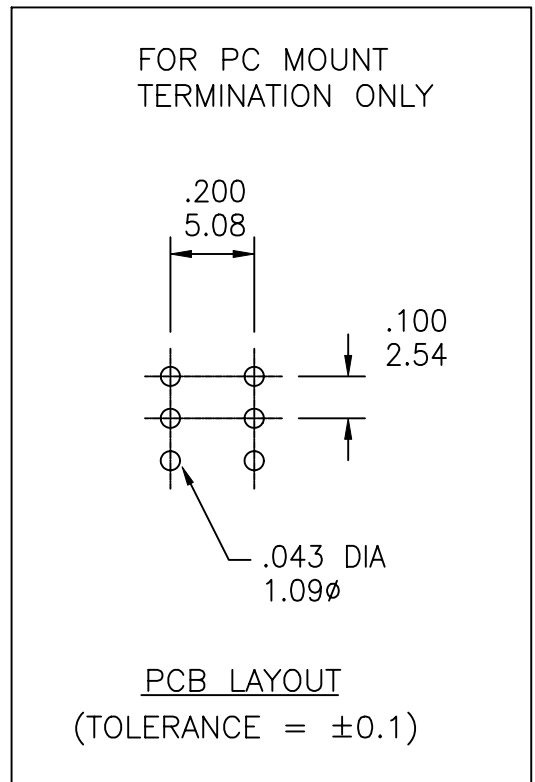
USE OR REPRODUCTION OF THIS DRAWING FOR THE PURPOSE OF MANUFACTURING THIS ARTICLE OR ANY ARTICLES SHOWN FOR ANY PURPOSE IS STRICTLY PROHIBITED WITHOUT WRITTEN PERMISSION FROM SENIOR INDUSTRIES, INC.

CUSTOMER SPECIFICATION DRAWING



MODEL NO.	SWITCHING POSITION		
			
TS5	ON	NONE	ON
TS5A	ON	OFF	ON
TS5B	ON	NONE	MOM
CONN. TERMS	2-3 5-6	OPEN	2-1 5-4
SCHEMATIC			

NON-SHORTING TYPE



USE OR REPRODUCTION OF THIS DRAWING FOR THE PURPOSE OF MANUFACTURING THIS ARTICLE OR ANY ARTICLES SHOWN FOR ANY PURPOSE IS STRICTLY PROHIBITED WITHOUT WRITTEN PERMISSION FROM SENIOR INDUSTRIES, INC.

CUSTOMER SPECIFICATION DRAWING

SPECIFICATIONS

ELECTRICAL

CONTACT RATING:

SILVER: 3A @ 120 VAC OR 28 VDC, 1A @ 250 VAC

GOLD: 0.4 VA MAX. @ 20 V MAX. (AC OR DC)

CONTACT RESISTANCE: 20 MILLIOHMS MAX.

INSULATION RESISTANCE: 1,000 MEGOHMS MIN. AT 500 VDC

DIELECTRIC STRENGTH: 1,000 VRMS

MECHANICAL

LIFE: 30,000 CYCLES

ENVIRONMENTAL

OPERATING TEMPERATURE: -30°C TO +85°C

MATERIAL

CASE: DAP, UL 94V-0

HOUSING: STAINLESS STEEL

ACTUATOR: BRASS, CHROME PLATED

BUSHING: BRASS, NICKEL PLATED

SUPPORT: BRASS, TIN PLATED

CONTACT/TERMINALS: COPPER ALLOY, SILVER OR GOLD PLATED

REGULATORY

UL AND CANADA RECOGNIZED COMPONENT. UL/CUL FILE NO. E173084.

SERIES	MODEL NO.	ACTUATOR	BUSHING	TERMINATION	CONTACT PLATING	SEAL	VERTICAL SUPPORT BRACKET
SRST	- <input type="text"/> <input type="text"/> <input type="text"/> <input type="text"/> <input type="text"/> -	<input type="text"/>	<input type="text"/>	<input type="text"/>	<input type="text"/>	<input type="text"/>	<input type="text"/>
	TS5 TS5A TS5B	S (STD) T U V X	E (STD - THD) E1 (STD - NON-THD) F (THD) F1 (NON-THD) G (THD) G1 (NON-THD) H (THD) H1 (NON-THD) J (THD) J1 (NON-THD)	B (SOLDER LUG) C (PC MOUNT)	Q (SILVER) R (GOLD)	BLANK E (EPOXY)	BLANK A5

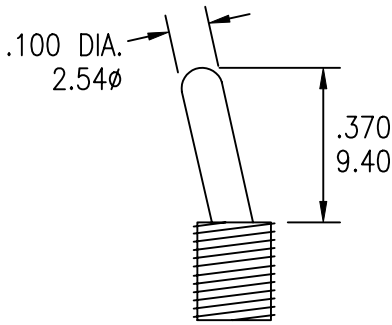


TITLE: TOGGLE SWITCH		PART NO: SRST-TS5X-XXXXXX			
DATE: 03/14/01	DRAWN: RB	REV: A	SCALE: N/A	SHEET: 2 OF 6	

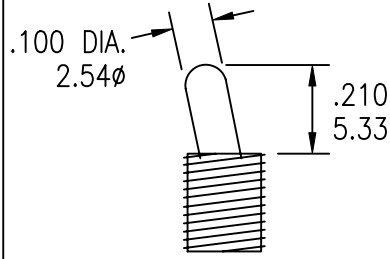
USE OR REPRODUCTION OF THIS DRAWING FOR THE PURPOSE OF MANUFACTURING THIS ARTICLE OR ANY ARTICLES SHOWN FOR ANY PURPOSE IS STRICTLY PROHIBITED WITHOUT WRITTEN PERMISSION FROM SENIOR INDUSTRIES, INC.

CUSTOMER SPECIFICATION DRAWING

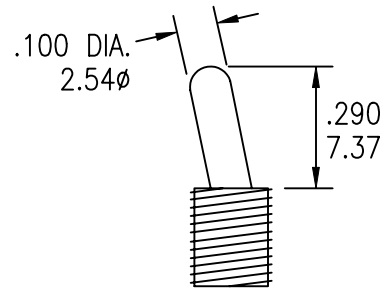
ACTUATOR OPTIONS



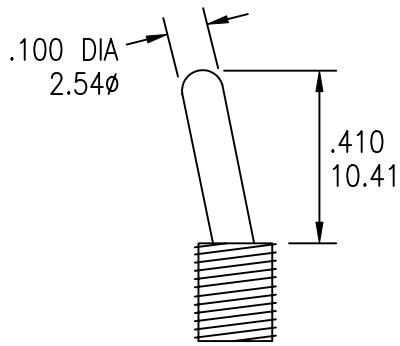
S (STD)



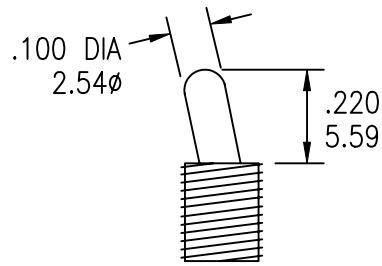
T



U

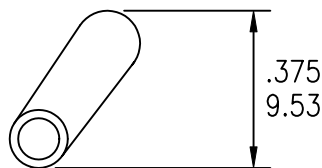


V



X

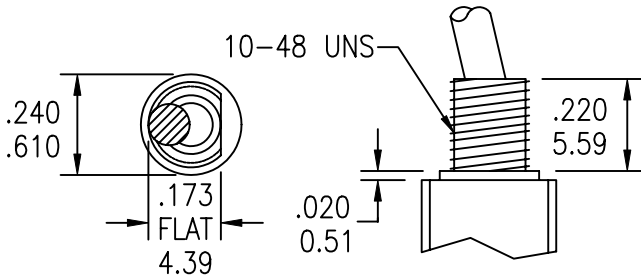
NOTE: OPTIONAL TOGGLE CAP AVAILABLE.



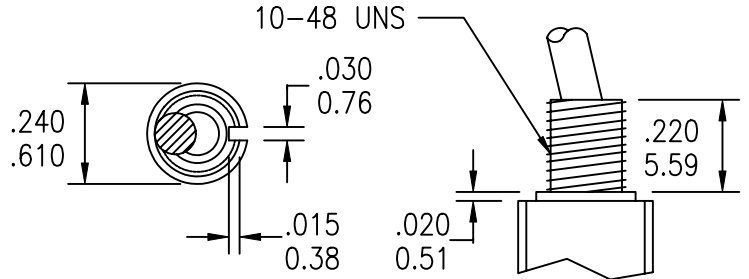
USE OR REPRODUCTION OF THIS DRAWING FOR THE PURPOSE OF MANUFACTURING THIS ARTICLE OR ANY ARTICLES SHOWN FOR ANY PURPOSE IS STRICTLY PROHIBITED WITHOUT WRITTEN PERMISSION FROM SENIOR INDUSTRIES, INC.

CUSTOMER SPECIFICATION DRAWING

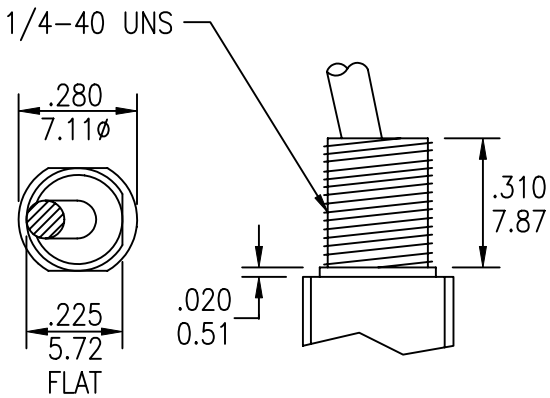
BUSHING OPTIONS



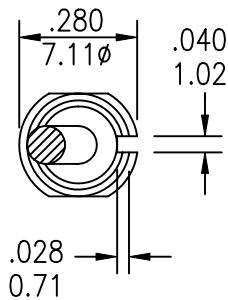
E (STD THD)  
E1 (STD NON-THD)



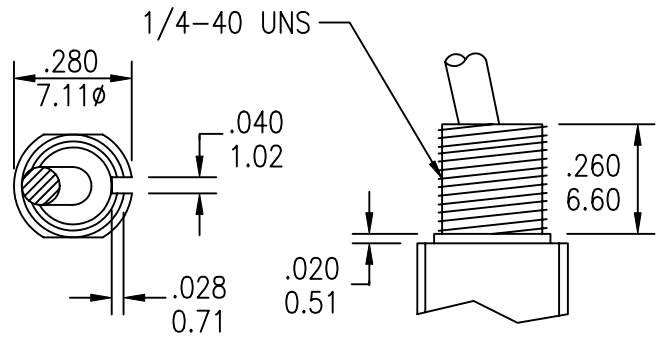
F (THD)  
F1 (NON-THD)



G (THD)  
G1 (NON-THD)



H (THD)  
H1 (NON-THD)

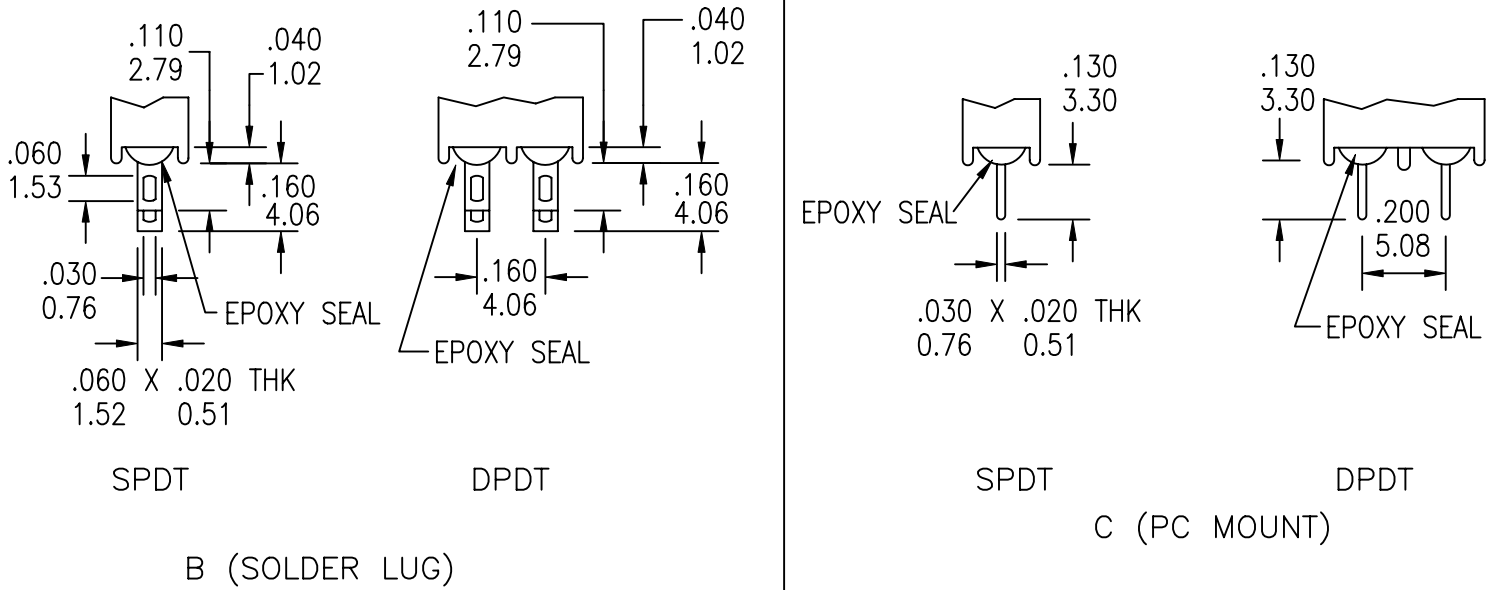


J (THD)  
J1 (NON-THD)

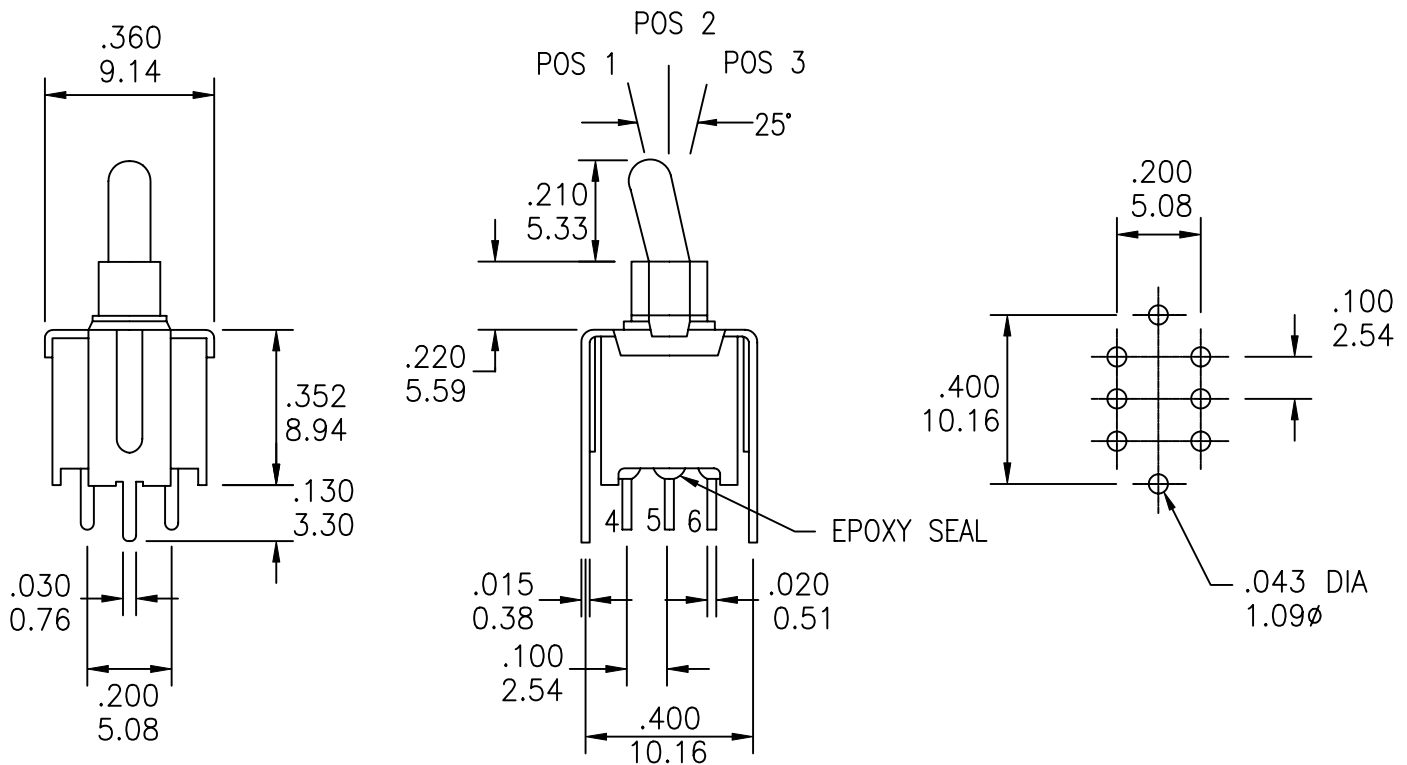
USE OR REPRODUCTION OF THIS DRAWING FOR THE PURPOSE OF MANUFACTURING THIS ARTICLE OR ANY ARTICLES SHOWN FOR ANY PURPOSE IS STRICTLY PROHIBITED WITHOUT WRITTEN PERMISSION FROM SENIOR INDUSTRIES, INC.

CUSTOMER SPECIFICATION DRAWING

TERMINATION OPTIONS



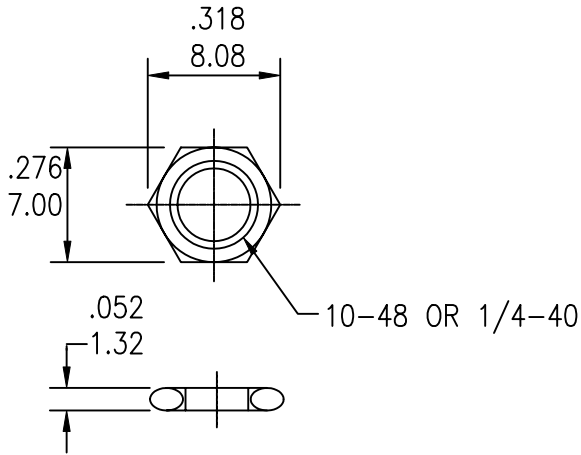
VERTICAL SUPPORT BRACKET (OPTION A5)



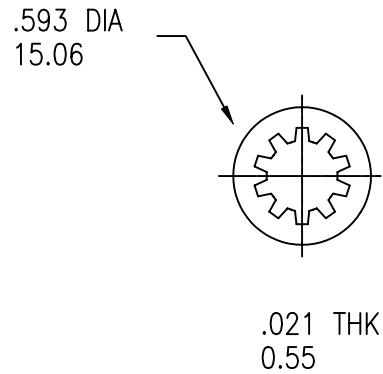
USE OR REPRODUCTION OF THIS DRAWING FOR THE PURPOSE OF MANUFACTURING THIS ARTICLE OR ANY ARTICLES SHOWN FOR ANY PURPOSE IS STRICTLY PROHIBITED WITHOUT WRITTEN PERMISSION FROM SENIOR INDUSTRIES, INC.

CUSTOMER SPECIFICATION DRAWING

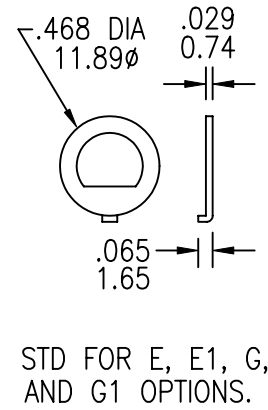
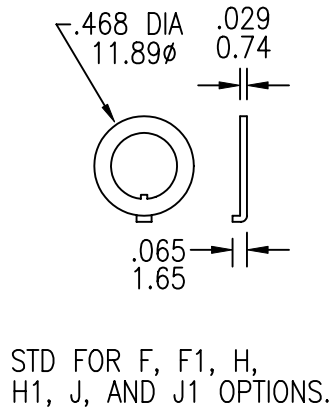
STANDARD NUT



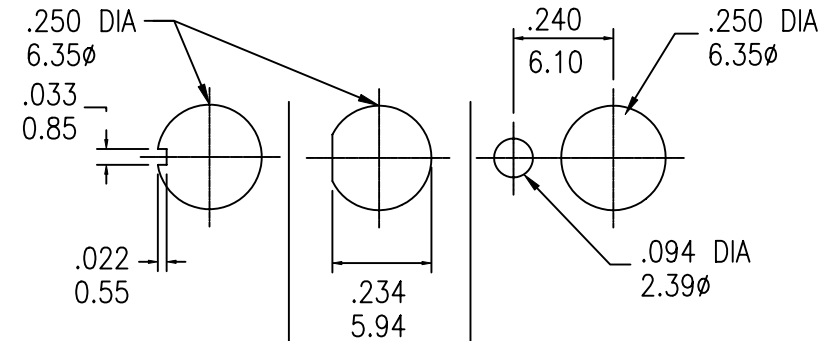
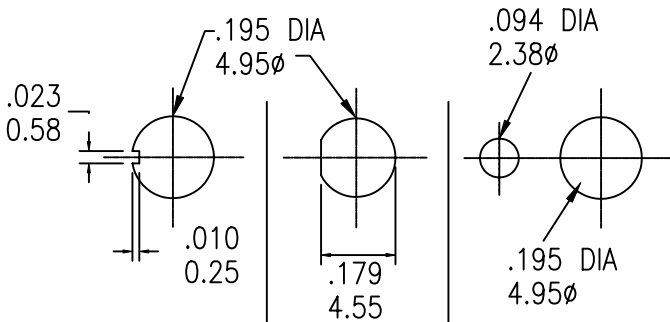
STANDARD LOCK WASHER



LOCKING RING



PANEL MOUNTING



FOR F AND F1 OPTIONS

FOR E AND E1 OPTIONS

FOR USE WITH LOCKING RING

FOR H, H1, J, AND J1 OPTIONS

FOR G AND G1 OPTIONS

FOR USE WITH LOCKING RING



TITLE: TOGGLE SWITCH

PART NO: SRST-TS5X-XXXXXX

DATE: 03/14/01

DRAWN: RB

REV: A

SCALE: N/A

SHEET: 6 OF 6