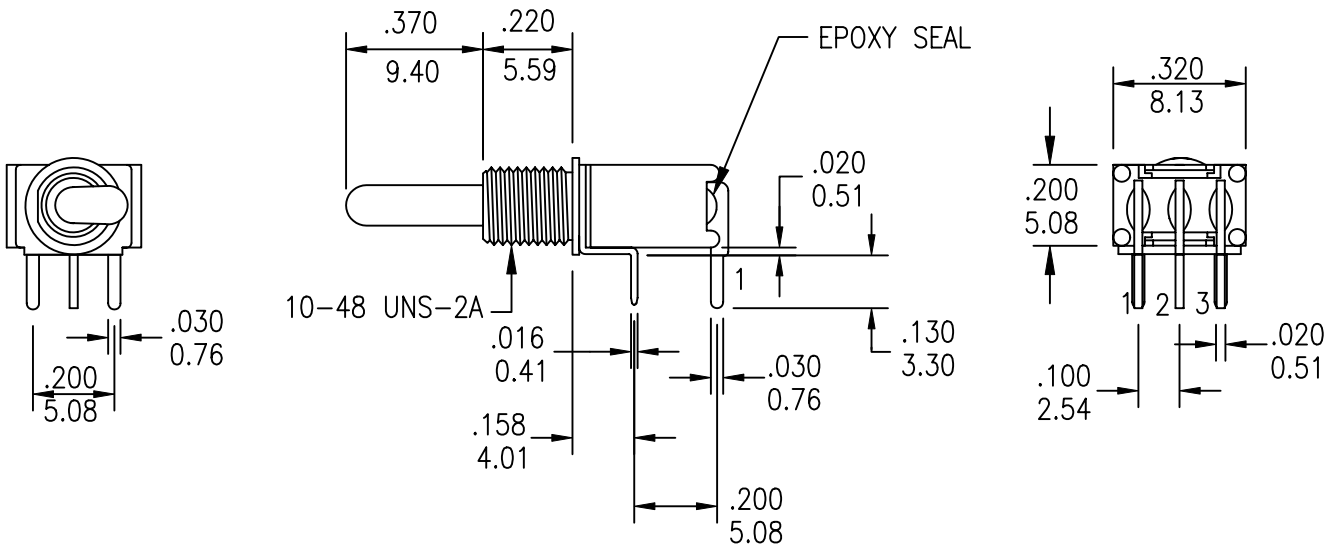


1

2

3

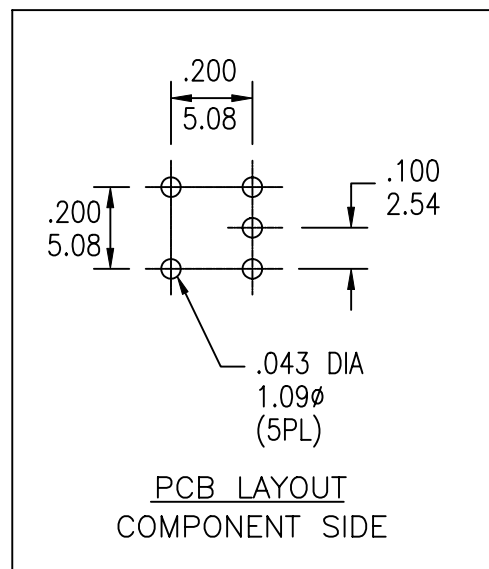
4

COMPONENT  
SPECIFICATIONUSE OR REPRODUCTION OF THIS DRAWING FOR THE PURPOSE OF MANUFACTURING THIS  
ARTICLE OR ANY ARTICLES SHOWN FOR ANY PURPOSE IS STRICTLY PROHIBITED WITHOUT  
WRITTEN PERMISSION FROM SENIOR INDUSTRIES, INC.

SRST-TS6-SECQE SHOWN

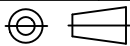
MODEL NO.	SWITCHING POSITION		
TS6	ON	NONE	ON
TS6A	ON	OFF	ON
TS6B	ON	NONE	MOM
CONN. TERMS	2-3	OPEN	2-1
SCHEMATIC	SPDT		

NON-SHORTING TYPE



DESIGNED:			SYM.	DATE	DESCRIPTION OF REVISIONS	DRAWN	APPD.
DRAWN:	RB	03/13/01	△	03.13.01	NEW	RB	
CHECKED:			△	03.02.05	NEW INDEX, DWG & SPEC UPDATED	GAT	
APPROVED:			△	.			
			△	.			

3RD ANGLE



UNIT:

IN/mm

SCALE:

1:1

REV.

B

SENIOR  
INDUSTRIES, INC.

TOLERANCE:

TO 1 DECIMAL PLACE: ±.40mm

TO 2 DECIMAL PLACES: ±.25mm

AS ANGLES: ±

SHEET:

PART NO:

SRST-TS6X-XXXXX

TITLE:

TOGGLE SWITCH

1 OF 5

1

2

3

4

COMPONENT  
SPECIFICATIONUSE OR REPRODUCTION OF THIS DRAWING FOR THE PURPOSE OF MANUFACTURING THIS  
ARTICLE OR ANY ARTICLES SHOWN FOR ANY PURPOSE IS STRICTLY PROHIBITED WITHOUT  
WRITTEN PERMISSION FROM SENIOR INDUSTRIES, INC.SPECIFICATIONSELECTRICAL

CONTACT RATING:

SILVER: 3A @ 120 VAC OR 28 VDC, 1A @ 250 VAC

GOLD: 0.4 VA MAX. @ 20 V MAX. (AC OR DC)

CONTACT RESISTANCE: 20 MILLIOHMS MAX.

INSULATION RESISTANCE: 1,000 MEGOHMS MIN. AT 500 VDC

DIELECTRIC STRENGTH: 1,000 VRMS

MECHANICAL

LIFE: 30,000 CYCLES

ENVIRONMENTAL

OPERATING TEMPERATURE: -30°C TO +85°C

MATERIAL

CASE: DAP, UL94V-0

HOUSING: STAINLESS STEEL

ACTUATOR: BRASS, CHROME PLATED

BUSHING: BRASS, NICKEL PLATED

SWITCH SUPPORT: BRASS, TIN PLATED

CONTACT/TERMINALS: BRASS, SILVER OR GOLD PLATED

REGULATORY

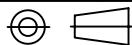
UL AND CANADA RECOGNIZED COMPONENT. UL/CUL FILE NO. E173084.

PART NUMBER BUILDER:

SERIES	MODEL NO.	ACTUATOR	BUSHING	TERMINATION	CONTACT PLATING	SEAL
SRST -	<input type="text"/>	<input type="text"/>	<input type="text"/>	<input type="text"/>	<input type="text"/>	<input type="text"/>
	TS6 TS6A TS6B	S (STD) T U V X	E (STD - THD) E1 (STD - NON-THD) F (THD) F1 (NON-THD) G (THD) G1 (NON-THD) H (THD) H1 (NON-THD) J (THD) J1 (NON-THD)	C (PC MOUNT)	Q (SILVER) R (GOLD)	BLANK E (EPOXY)

DESIGNED:	DRAWN:	CHECKED:	APPROVED:	SYM.	DATE	DESCRIPTION OF REVISIONS	DRAWN	APPD.
	RB			△	03.13.01	NEW	RB	
				△	03.02.05	NEW INDEX, DWG & SPEC UPDATED	GAT	
				△	.			
				△	.			
				△	.			

3RD ANGLE



UNIT:

IN/mm

SCALE:

REV.

B


**SENIOR  
INDUSTRIES, INC.**

TOLERANCE:

TO 1 DECIMAL PLACE: ±

TO 2 DECIMAL PLACES: ±

AS ANGLES: ±

SHEET:

PART NO:

SRST-TS6X-XXXXX

TITLE:

TOGGLE SWITCH

2 OF 5

1

2

3

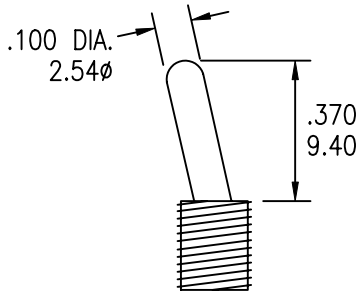
4

COMPONENT SPECIFICATION

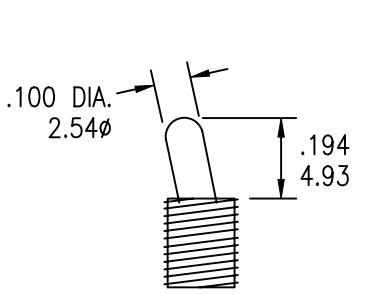
USE OR REPRODUCTION OF THIS DRAWING FOR THE PURPOSE OF MANUFACTURING THIS ARTICLE OR ANY ARTICLES SHOWN FOR ANY PURPOSE IS STRICTLY PROHIBITED WITHOUT WRITTEN PERMISSION FROM SENIOR INDUSTRIES, INC.

A

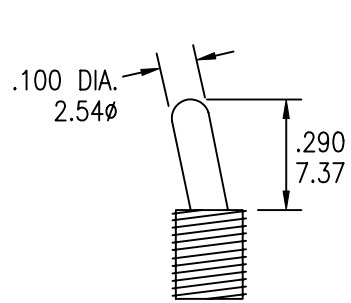
ACTUATOR OPTIONS



S (STD)



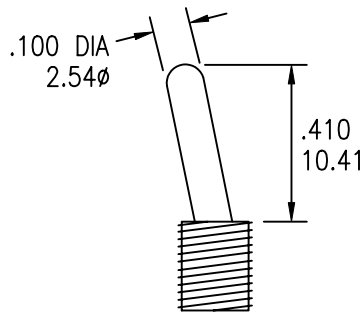
T



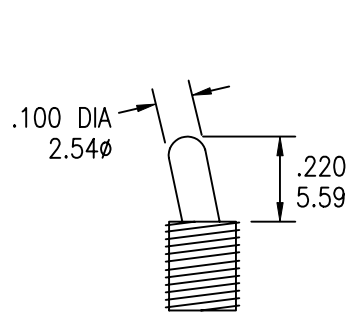
U

B

C



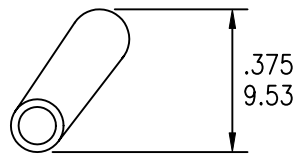
V



X

D

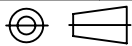
NOTE: OPTIONAL TOGGLE CAP AVAILABLE.



E

DESIGNED:			SYM.	DATE	DESCRIPTION OF REVISIONS	DRAWN	APPD.
			$\triangle$	03.13.01	NEW	RB	
DRAWN:	RB	03/13/01	$\triangle$	03.02.05	NEW INDEX, DWG & SPEC UPDATED	GAT	
CHECKED:			$\triangle$	.			
APPROVED:			$\triangle$	.			

3RD ANGLE



UNIT:

IN/mm

SCALE:

REV.

B



SENIOR INDUSTRIES, INC.

TOLERANCE:

TO 1 DECIMAL PLACE:  $\pm .40$ mm

TO 2 DECIMAL PLACES:  $\pm .25$ mm

AS ANGLES:  $\pm$

SHEET:

PART NO:

SRST-TS6X-XXXXX

TITLE:

TOGGLE SWITCH

3 OF 5

1

2

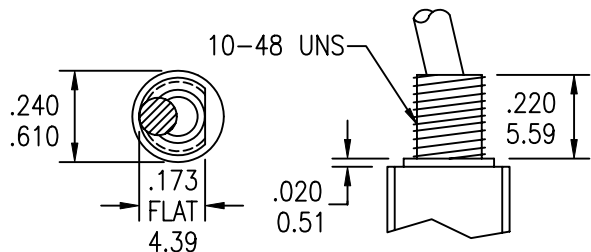
3

4

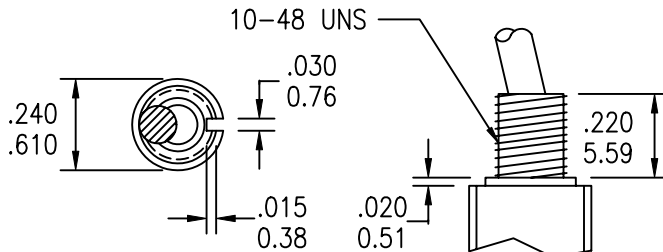
COMPONENT SPECIFICATION

USE OR REPRODUCTION OF THIS DRAWING FOR THE PURPOSE OF MANUFACTURING THIS ARTICLE OR ANY ARTICLES SHOWN FOR ANY PURPOSE IS STRICTLY PROHIBITED WITHOUT WRITTEN PERMISSION FROM SENIOR INDUSTRIES, INC.

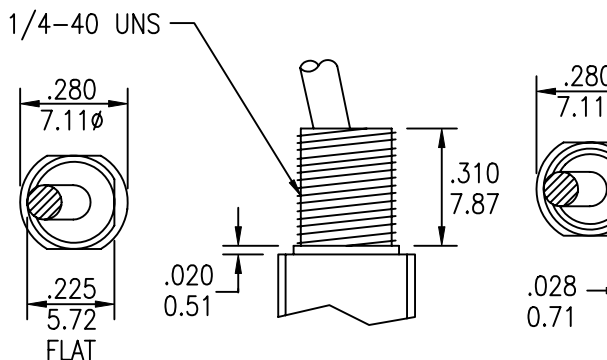
BUSHING OPTIONS



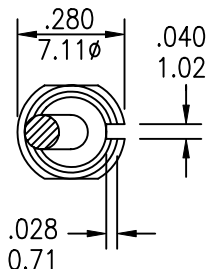
E (STD THD)  
E1 (STD NON-THD)



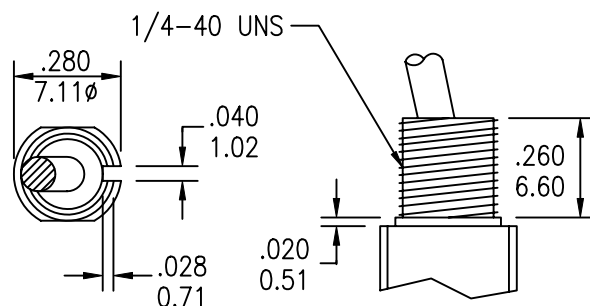
F (THD)  
F1 (NON-THD)



G (THD)  
G1 (NON-THD)

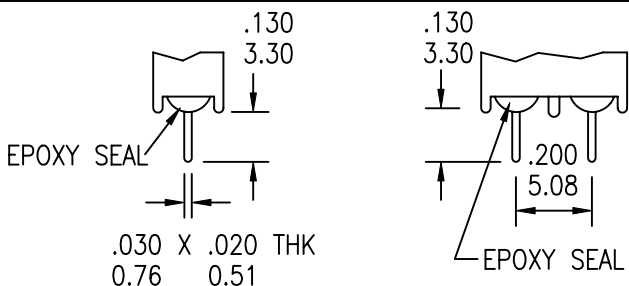


H (THD)  
H1 (NON-THD)



J (THD)  
J1 (NON-THD)

TERMINATION

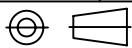


SPDT DPDT

C (PC MOUNT)

DESIGNED:			SYM.	DATE	DESCRIPTION OF REVISIONS	DRAWN	APPD.
DRAWN:	RB	03/13/01	△	03.13.01	NEW	RB	
CHECKED:			△	03.02.05	NEW INDEX, DWG & SPEC UPDATED	GAT	
APPROVED:			△	.			
			△	.			

3RD ANGLE



UNIT:

IN/mm

SCALE:

REV.

B



SENIOR INDUSTRIES, INC.

TOLERANCE:

TO 1 DECIMAL PLACE: ±.40mm

TO 2 DECIMAL PLACES: ±.25mm

AS ANGLES: ±

SHEET:

PART NO:

SRST-TS6X-XXXXX

TITLE:

TOGGLE SWITCH

4 OF 5

1

2

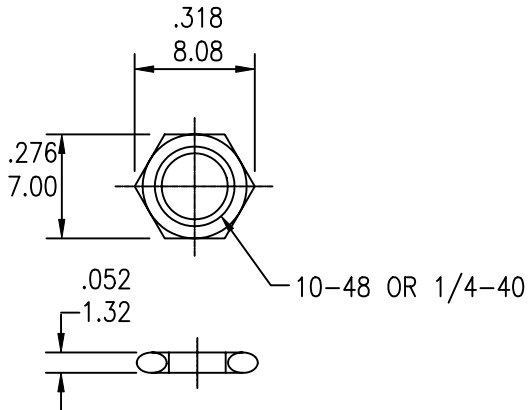
3

4

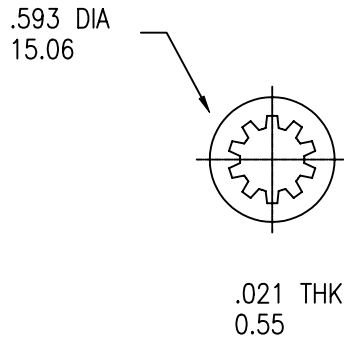
COMPONENT SPECIFICATION

USE OR REPRODUCTION OF THIS DRAWING FOR THE PURPOSE OF MANUFACTURING THIS ARTICLE OR ANY ARTICLES SHOWN FOR ANY PURPOSE IS STRICTLY PROHIBITED WITHOUT WRITTEN PERMISSION FROM SENIOR INDUSTRIES, INC.

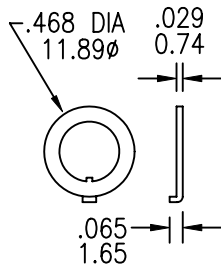
STANDARD NUT



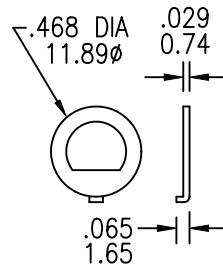
STANDARD LOCK WASHER



LOCKING RING

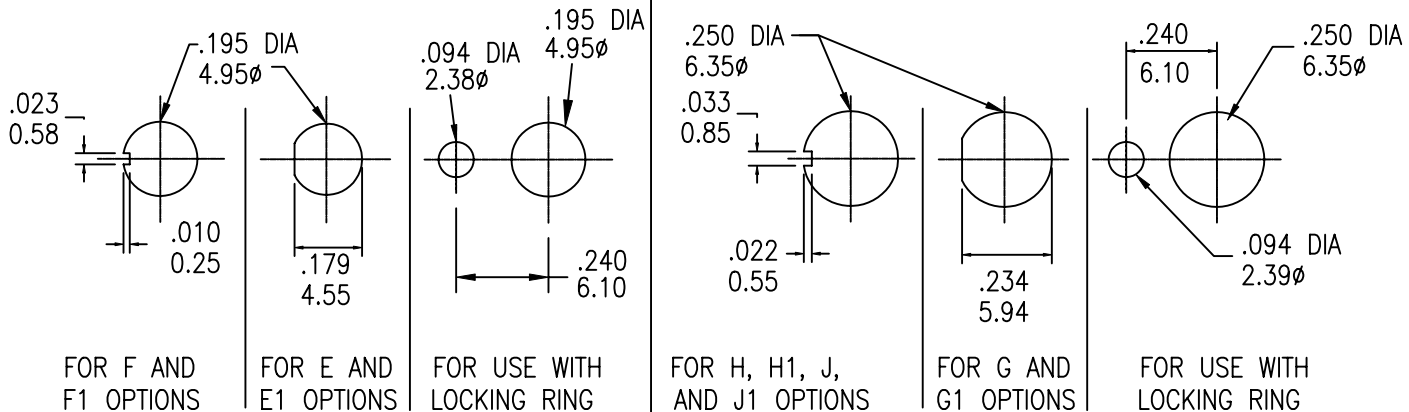


STD FOR F, F1, H, H1, J, AND J1 OPTIONS.



STD FOR E, E1, G, AND G1 OPTIONS.

PANEL MOUNTING



FOR F AND F1 OPTIONS

FOR E AND E1 OPTIONS

FOR USE WITH LOCKING RING

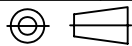
FOR H, H1, J, AND J1 OPTIONS

FOR G AND G1 OPTIONS

FOR USE WITH LOCKING RING

DESIGNED:			SYM.	DATE	DESCRIPTION OF REVISIONS	DRAWN	APPD.
DRAWN:	RB	03/13/01	▲	03.13.01	NEW	RB	
CHECKED:			▲	03.02.05	NEW INDEX, DWG & SPEC UPDATED	GAT	
APPROVED:			▲	.			
			▲	.			
			▲	.			

3RD ANGLE



UNIT:

IN/mm

SCALE:

REV.

B



TOLERANCE:

TO 1 DECIMAL PLACE: ±.40mm

TO 2 DECIMAL PLACES: ±.25mm

AS ANGLES: ±

SHEET:

PART NO:

SRST-TS6X-XXXXX

TITLE:

TOGGLE SWITCH

5 OF 5