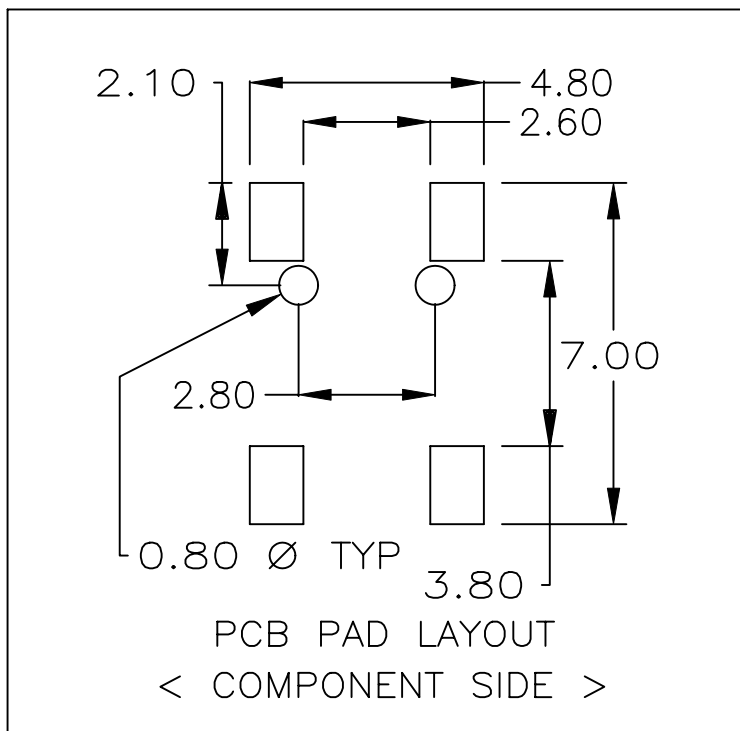
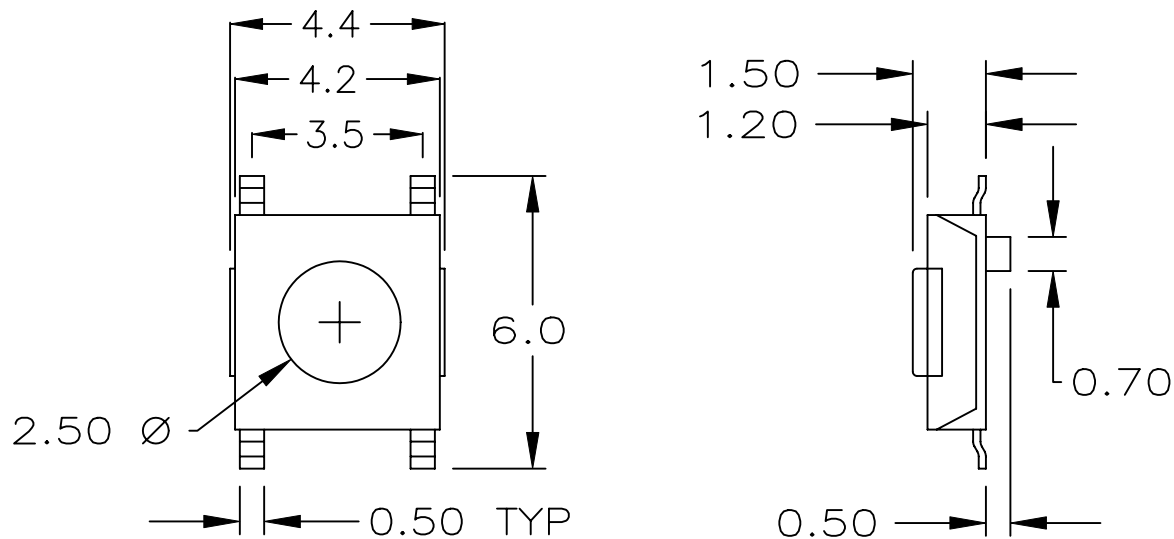


UNLESS OTHERWISE SPECIFIED, ALL DIMENSIONS ARE IN METRIC.

TO 1 DECIMAL PLACE ± 0.3
TO 2 DECIMAL PLACES ± 0.12
AS ANGLES $\pm 1/2^\circ$

ISSUE
A

DATE
05/15/00



UNLESS OTHERWISE SPECIFIED, ALL DIMENSIONS ARE IN METRIC.

TO 1 DECIMAL PLACE ±
TO 2 DECIMAL PLACES ±
AS ANGLES ±1/2°

ISSUE

DATE

A

05/15/00

SPECIFICATIONS

ELECTRICAL

CONTACT RATING: 50mA AT 12 VDC
CONTACT RESISTANCE: 100 MILLIOHMS MAX. DC RESISTANCE
INSULATION RESISTANCE: 100 MILLIOHMS MIN. AT 100 VDC
DIELECTRIC STRENGTH: 250 VAC FOR 1 MINUTE

MECHANICAL

OPERATING LIFE: 500,000 CYCLES MIN.
OPERATING FORCE: 260 ± 50gf
TRAVEL: 0.2 +0.1 /-0

MATERIAL:

FRAME: STEEL TIN PLATED 100 MICROINCHES MIN. OR
STAINLESS STEEL
HOUSING: NYLON 6/6 G30 UL94HB, BLACK OR NYLON 4/6
G30 UL94V-0, BLACK FOR SMT
ACTUATOR: NYLON 6/6 G30 UL94HB, BLACK OR NYLON 4/6
G30 UL94V-0, BLACK FOR SMT
CONTACT: STAINLESS STEEL
TERMINAL: 0.3MM BRASS, SILVER PLATED

ENVIRONMENTAL

OPERATING TEMPERATURE: -20° C TO +70° C
STORAGE TEMPERATURE: -30° C TO +80° C
SOLDERING TEMPERATURE:
REFLOW SOLDERING (SURFACE MOUNT): 285° C FOR 5 SEC.
VIBRATION RESISTANCE: MIL-STD-202 METHOD 201.PASS

TAPE REEL PACKAGING

TAPE WIDTH: 12MM
PART PITCH: 8MM
REAL DIAMETER: 330MM
PART PER REEL: 1000 PCS



TITLE:

TACT SWITCH

PART NO:

SRT-KRS-0420

DATE:

03/09/00

DRAWN:

HV

CHKD:

SCALE:

SHEET:

2 OF 2