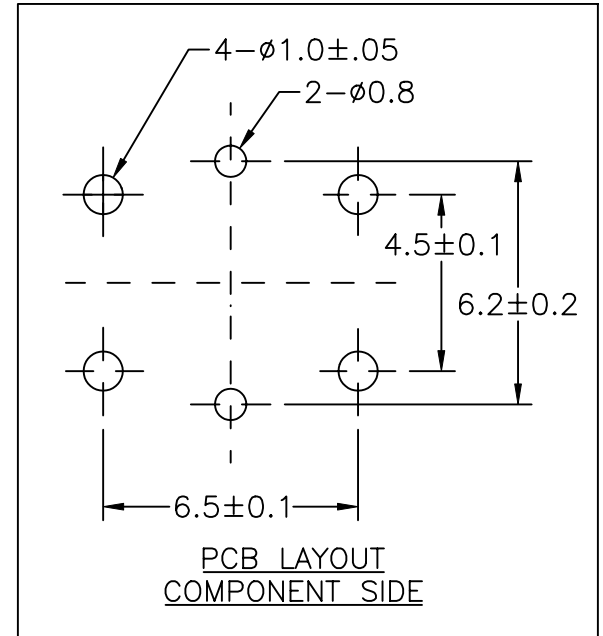
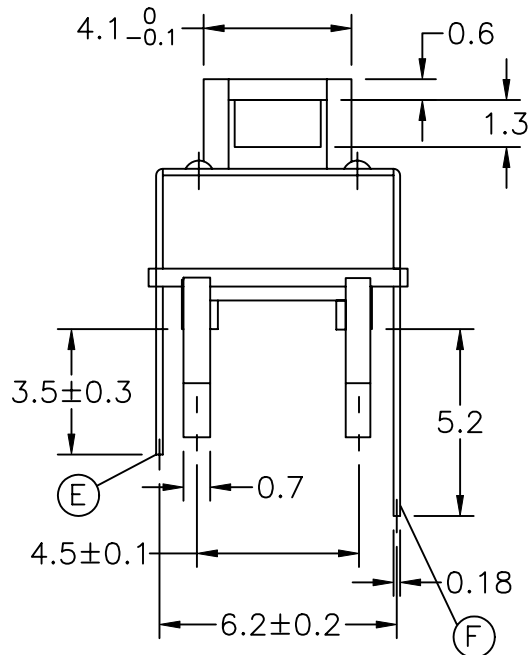
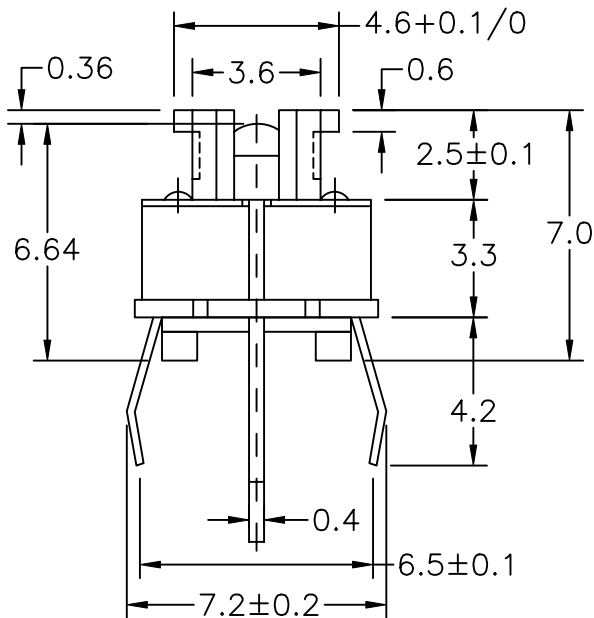
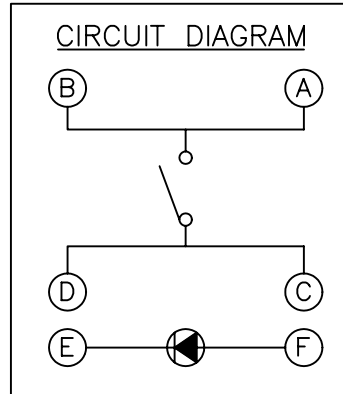
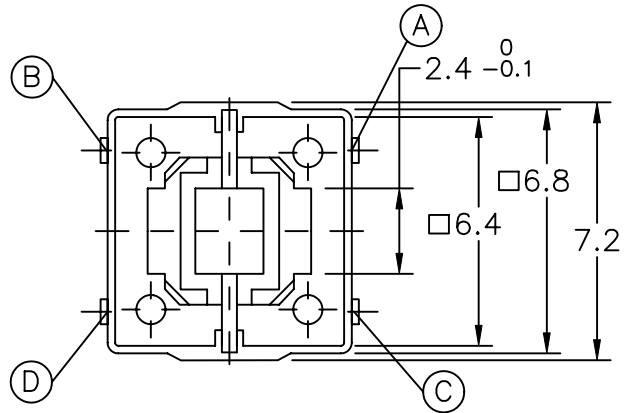


COMPONENT SPECIFICATION

USE OR REPRODUCTION OF THIS DRAWING FOR THE PURPOSE OF MANUFACTURING THIS ARTICLE OR ANY ARTICLES SHOWN FOR ANY PURPOSE IS STRICTLY PROHIBITED WITHOUT WRITTEN PERMISSION FROM SENIOR INDUSTRIES, INC.



NOTE: X IN PART NUMBER DENOTES LED COLOR:
 1 - RED
 2 - GREEN
 3 - YELLOW
 4 - AMBER



SENIOR INDUSTRIES, INC.

DESIGNED:			SYM:	DATE:	DESCRIPTION OF REVISIONS:	DRAWN:	APPD:	TOLERANCE:	PART NO:	SRT-KRS-0614-X
DRAWN:	GAT	03/07/08	▲	03.07.08	NEW	GAT	JF			
CHECKED:	GAT	05/20/08	▲	05.20.08	Added LED illum propr & X in PN = LED colors	GAT	JF	AS ANGLES: $\pm 1/2^\circ$	SHEET:	1 OF 3
APPROVED:	JF	05/20/08	▲							
3RD ANGLE		UNIT:	mm	SCALE:	1:1	REV.	B			

1

2

3

4

5

COMPONENT SPECIFICATION

USE OR REPRODUCTION OF THIS DRAWING FOR THE PURPOSE OF MANUFACTURING THIS ARTICLE OR ANY ARTICLES SHOWN FOR ANY PURPOSE IS STRICTLY PROHIBITED WITHOUT WRITTEN PERMISSION FROM SENIOR INDUSTRIES, INC.

SPECIFICATIONS:

ELECTRICAL:

CIRCUIT TYPE : SPST.
ACTION : TACTILE FEED-BACK
CONTACT RATING : 50mA @ 12V DC
CONTACT RESISTANCE : 100 MILLIOHMS MAX.
INSULATION RESISTANCE : 100 MEGOHMS MIN. @ 100V DC
DIELECTRIC STRENGTH : 250V AC FOR 1 MINUTE.
BOUNCE : 10 MSEC MAX.

MATERIAL:

CASE: NYLON 66, UL94HB
COVER: PET
STEM: NYLON 66, UL94HB
CONTACT: COPPER ALLOY, ONE SIDE SILVER CLAD PLATING.
TERMINAL: COPPER ALLOY (C 2680 EH), 0.5 MICROMETER SILVER PLATING.

MECHANICAL:

OPERATING LIFE : 100,000 CYCLES
OPERATING FORCE: 160±30gf
RETURN FORCE : 50gf MIN.
STOP STRENGTH : 3Kgf MIN. (FOR 3 SEC)
STEM WITHDRAWAL FORCE : 500gf MIN.
TRAVEL: 0.25+0.2/-0.1mm

ENVIRONMENTAL:

OPERATING TEMPERATURE : -30°C TO +80°C, 45% TO 85% RH
STORAGE TEMPERATURE: -35°C TO +80°C, 96 HOURS MAX. FOR CONTINUOUS STORAGE OVER A RANGE OF -20°C TO -30°C AND +70°C TO +80°C.
MANUAL SOLDERING CONDITIONS :
SOLDERING TEMPERATURE: 255°C MAX. CONTINUOUS DIPPING FOR 5 SEC MAX. PERMISSIBLE SOLDERING TIMES: 2 TIMES MAX.
PREHEAT TEMPERATURE: 100°C MAX. FOR 45 SEC. MAX.



SENIOR INDUSTRIES, INC.

DESIGNED:			SYM.	DATE:	DESCRIPTION OF REVISIONS:	DRAWN:	APPD:	TOLERANCE:	PART NO:	SRT-KRS-0614-X
DRAWN:	GAT	03/07/08	▲	03.07.08	NEW	GAT	JF			
CHECKED:	GAT	05/20/08	▲	05.20.08	Added LED illum propr & X in PN = LED colors	GAT	JF	TO 2 DECIMAL PLACES: ±	SHEET:	2 OF 3
APPROVED:	JF	05/20/08	▲							
3RD ANGLE		UNIT:	mm	SCALE:		REV.	B			

1

2

3

4

5

COMPONENT SPECIFICATION

USE OR REPRODUCTION OF THIS DRAWING FOR THE PURPOSE OF MANUFACTURING THIS ARTICLE OR ANY ARTICLES SHOWN FOR ANY PURPOSE IS STRICTLY PROHIBITED WITHOUT WRITTEN PERMISSION FROM SENIOR INDUSTRIES, INC.

AXIAL LED SPECIFICATIONS:

ABSOLUTE RATINGS @ TA=25°C:

RED COLOR:

Table with 4 columns: PARAMETER, SYMBOL, MAXIMUM, UNIT. Rows include DC FORWARD CURRENT, POWER DISSIPATION, PULSE CURRENT, REVERSE VOLTAGE, OPERATING TEMPERATURE, STORAGE TEMPERATURE, LEAD SOLDERING TEMPERATURE.

ELECTRICAL/OPTICAL CHARACTERISTICS @ TA=25°C:

Table with 7 columns: PARAMETER, SYMBOL, MIN., TYP., MAX., UNIT, TEST CONDITION. Rows include LUMINOUS INTENSITY, VIEWING ANGLE, DOMINANT WAVELENGTH, FORWARD VOLTAGE, REVERSE CURRENT.

ABSOLUTE RATINGS @ TA=25°C:

GREEN COLOR:

Table with 4 columns: PARAMETER, SYMBOL, MAXIMUM, UNIT. Rows include DC FORWARD CURRENT, POWER DISSIPATION, PULSE CURRENT, REVERSE VOLTAGE, OPERATING TEMPERATURE, STORAGE TEMPERATURE, LEAD SOLDERING TEMPERATURE.

ELECTRICAL/OPTICAL CHARACTERISTICS @ TA=25°C:

Table with 7 columns: PARAMETER, SYMBOL, MIN., TYP., MAX., UNIT, TEST CONDITION. Rows include LUMINOUS INTENSITY, VIEWING ANGLE, DOMINANT WAVELENGTH, FORWARD VOLTAGE, REVERSE CURRENT.

ABSOLUTE RATINGS @ TA=25°C:

YELLOW COLOR:

Table with 4 columns: PARAMETER, SYMBOL, MAXIMUM, UNIT. Rows include DC FORWARD CURRENT, POWER DISSIPATION, PULSE CURRENT, REVERSE VOLTAGE, OPERATING TEMPERATURE, STORAGE TEMPERATURE, LEAD SOLDERING TEMPERATURE.

ELECTRICAL/OPTICAL CHARACTERISTICS @ TA=25°C:

Table with 7 columns: PARAMETER, SYMBOL, MIN., TYP., MAX., UNIT, TEST CONDITION. Rows include LUMINOUS INTENSITY, VIEWING ANGLE, DOMINANT WAVELENGTH, FORWARD VOLTAGE, REVERSE CURRENT.

ABSOLUTE RATINGS @ TA=25°C:

ULTRA BRIGHT AMBER COLOR:

Table with 4 columns: PARAMETER, SYMBOL, MAXIMUM, UNIT. Rows include DC FORWARD CURRENT, POWER DISSIPATION, PEAK FORWARD CURRENT, REVERSE VOLTAGE, OPERATING TEMPERATURE, STORAGE TEMPERATURE, LEAD SOLDERING TEMPERATURE.

ELECTRICAL/OPTICAL CHARACTERISTICS @ TA=25°C:

Table with 7 columns: PARAMETER, SYMBOL, MIN., TYP., MAX., UNIT, TEST CONDITION. Rows include LUMINOUS INTENSITY, VIEWING ANGLE, PEAK EMISSION WAVELENGTH, DOMINANT WAVELENGTH, SPECTRAL LINE HALF-WIDTH, FORWARD VOLTAGE, REVERSE CURRENT.



Table with columns: DESIGNED, DRAWN, CHECKED, APPROVED, SYM, DATE, DESCRIPTION OF REVISIONS, DRAWN, APPD.

Table with columns: TOLERANCE, PART NO, TITLE, SHEET.