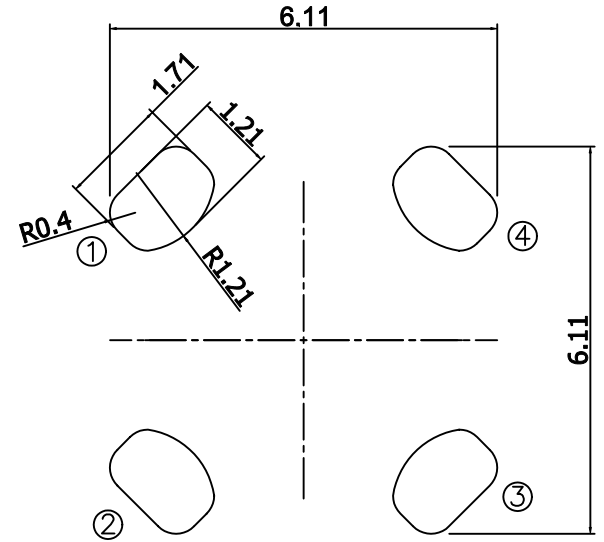
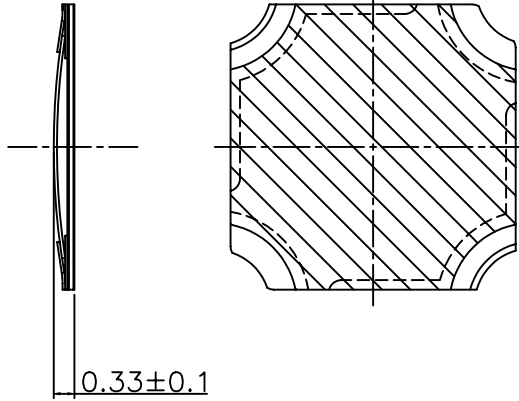
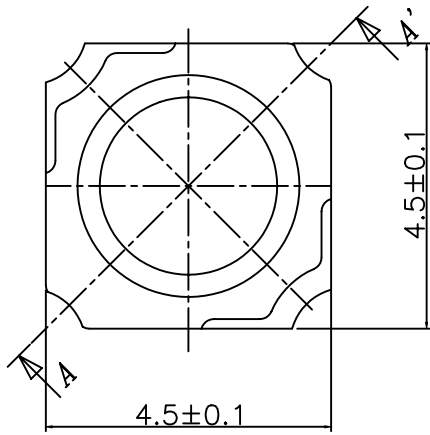
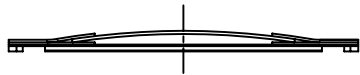


COMPONENT SPECIFICATION

USE OR REPRODUCTION OF THIS DRAWING FOR THE PURPOSE OF MANUFACTURING THIS ARTICLE OR ANY ARTICLES SHOWN FOR ANY PURPOSE IS STRICTLY PROHIBITED WITHOUT WRITTEN PERMISSION FROM SENIOR INDUSTRIES, INC.

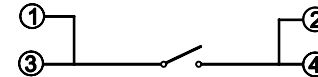
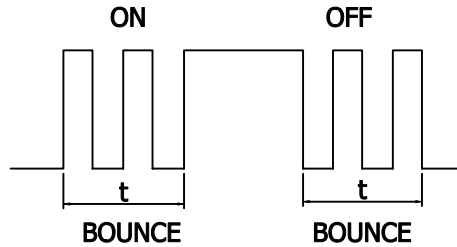
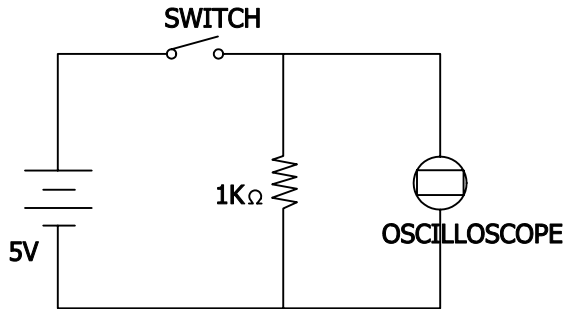


PCB LAYOUT



SECTION A-A'

CIRCUIT DIAGRAM



RoHS COMPLIANT



SENIOR INDUSTRIES, INC.

DESIGNED:			SYM:	DATE:	DESCRIPTION OF REVISIONS:	DRAWN:	APPD:	TOLERANCE:	PART NO:	SRT-KRS-0615
DRAWN:	GAT	03/07/08	▲	03.07.08	NEW	GAT	JF	TO 1 DECIMAL PLACE: ±.3 TO 2 DECIMAL PLACES: ±.12	TITLE:	Sealed Waterproof SMD Tact Switch
CHECKED:	GAT	07/21/08	▲	03.28.08	Corr'd oper. force fr 160 to 250±50gf	GAT	JF		SHEET:	1 OF 2
APPROVED:	JF	07/21/08	▲	07.21.08	All spec updated	GAT	JF	AS ANGLES:	±1/2°	
3RD ANGLE		UNIT:	mm	SCALE:	10:1	REV.	C			

1

2

3

4

5

COMPONENT SPECIFICATION

USE OR REPRODUCTION OF THIS DRAWING FOR THE PURPOSE OF MANUFACTURING THIS ARTICLE OR ANY ARTICLES SHOWN FOR ANY PURPOSE IS STRICTLY PROHIBITED WITHOUT WRITTEN PERMISSION FROM SENIOR INDUSTRIES, INC.

SPECIFICATIONS:

ELECTRICAL:

RATED VOLTAGE : 12V DC
CURRENT RATING : 50mA
CONTACT RESISTANCE : 100 MILLIOHMS MAX.
INSULATION RESISTANCE : 100 MEGOHMS MIN. @ 100V DC
DIELECTRIC STRENGTH : 250V AC FOR 1 MINUTE.
BOUNCE STRENGTH: 20 MSEC MAX.

MECHANICAL:

OPERATING LIFE : 200,000 CYCLES
OPERATING FORCE: 250±40gf
OPERATING STROKE: 0.2±0.03mm
RETURN FORCE : 50gf MIN.

MATERIAL:

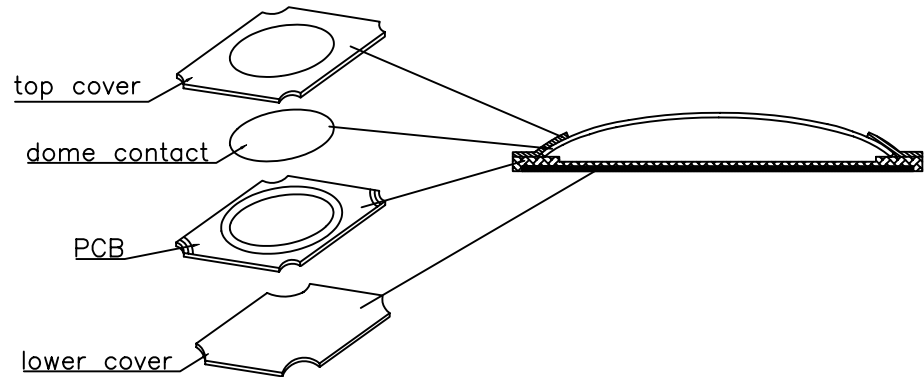
TOP COVER LAY (1/2Mil) : PI, EPOXY ADHESIVE
METAL DOME : STAINLESS STEEL 301, SILVER PLATING
PCB : COPPER & EPOXY
LOWER COVER LAY (1Mil) : PI, EPOXY ADHESIVE

TAPE & REEL PACKAGING:

REEL DIAMETER : 330mm
TAPE WIDTH : 12mm
TAPE PITCH : 8mm
NO. OF PCS. PER REEL : 7000

ENVIRONMENTAL:

OPERATING TEMPERATURE : -30°C TO +85°C
VIBRATION: AMPLITUDE: 1.5mm P-P; SWEEP TIME: 10-55-10 Hz
DURATION: 2h IN EACH X,Y,Z AXES
SHOCK: 20G, 3 STROKES IN EACH AXES
HEAT RESISTANCE: 85±2°C, 96h. NO DAMAGE.
CONTACT RESISTANCE: 10 OHMS MAX.
COLD RESISTANCE: -30±5°C, 96h. NO DAMAGE.
CONTACT RESISTANCE: 10 OHMS MAX.
HUMIDITY: 40±2°C, 90~95% RH, 96h. NO DAMAGE.
CONTACT RESISTANCE: 10 OHMS MAX.
INSULATION RESISTANCE: 10 MEGOHMS MAX.
SOLDER : 250±5°C MAX, 95% OF IMMERSSED AREA MUST SHOW NO VOIDS OR PIN HOLES.



RoHS COMPLIANT



SENIOR INDUSTRIES, INC.

Table with 4 columns: DESIGNED, DRAWN, CHECKED, APPROVED; 4 columns: SYM, DATE, DESCRIPTION OF REVISIONS; 2 columns: DRAWN, APPD; 2 columns: TOLERANCE; 2 columns: PART NO, TITLE; 2 columns: SHEET. Includes revision history and manufacturing details.