

1

2

3

4

5

COMPONENT SPECIFICATION

USE OR REPRODUCTION OF THIS DRAWING FOR THE PURPOSE OF MANUFACTURING THIS ARTICLE OR ANY ARTICLES SHOWN FOR ANY PURPOSE IS STRICTLY PROHIBITED WITHOUT WRITTEN PERMISSION FROM SENIOR INDUSTRIES, INC.

SPECIFICATIONS

ELECTRICAL:

CONTACT RATING: 1.5A AT 125 VAC
CONTACT RESISTANCE: 30 MILLIOHMS MAX.
INSULATION RESISTANCE: 500 MEGOHMS MIN. AT 500 VDC
DIELECTRIC STRENGTH: 1000 VRMS FOR 1 MINUTE

MECHANICAL:

LIFE: 750 CYCLES MIN.

ENVIRONMENTAL:

OPERATING TEMPERATURE: 0°C TO +70°C
STORAGE TEMPERATURE: -40°C TO +85°C
CAVITY CONFORMS TO FCC RULES AND REGULATIONS PART 68, SUBPART F.

MATERIAL:

HOUSING: GLASS FILLED PBT POLYESTER, UL94V-0
TERMINALS: 0.35mm THICK PHOSPHOR BRONZE
SHIELD: 0.25mm THICK COPPER ALLOY, NICKEL PLATED
PLATING: CONTACT AREA - SELECTIVE GOLD PLATING OVER NICKEL
TERMINATION AREA - 100 μIN TIN OVER NICKEL

PART NUMBER BUILDER:

MODEL KEYWAY PORTS CONTACTS PLATING COLOR

SSGJ1 [KEYWAY] - 4 [PORTS] [CONTACTS] [PLATING] - [COLOR]

BLANK "K" (WITH KEY)

0 = 8 CONTACTS
1 = 6 CONTACTS
2 = 4 CONTACTS

- 1. BLUE
2. RED
3. BLACK (STD)
4. BROWN
5. GREEN
6. WHITE
7. GRAY
8. ORANGE
9. YELLOW
10. VIOLET
11. IVORY/NEUTRAL

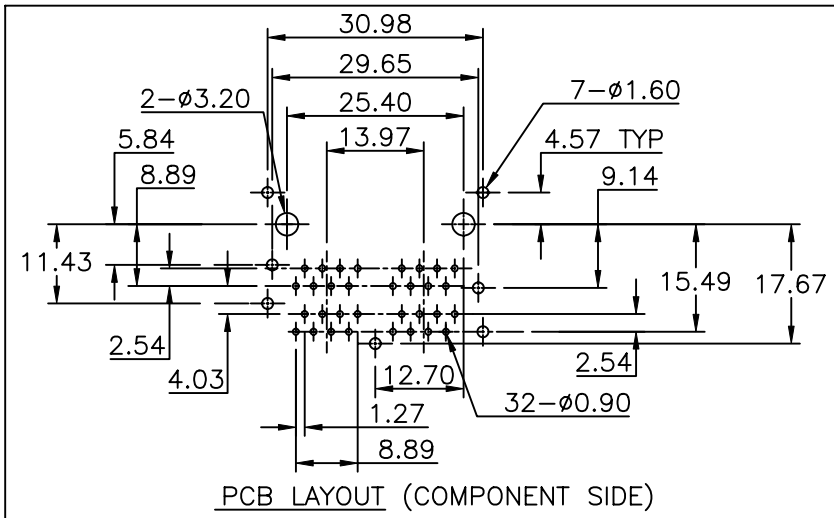
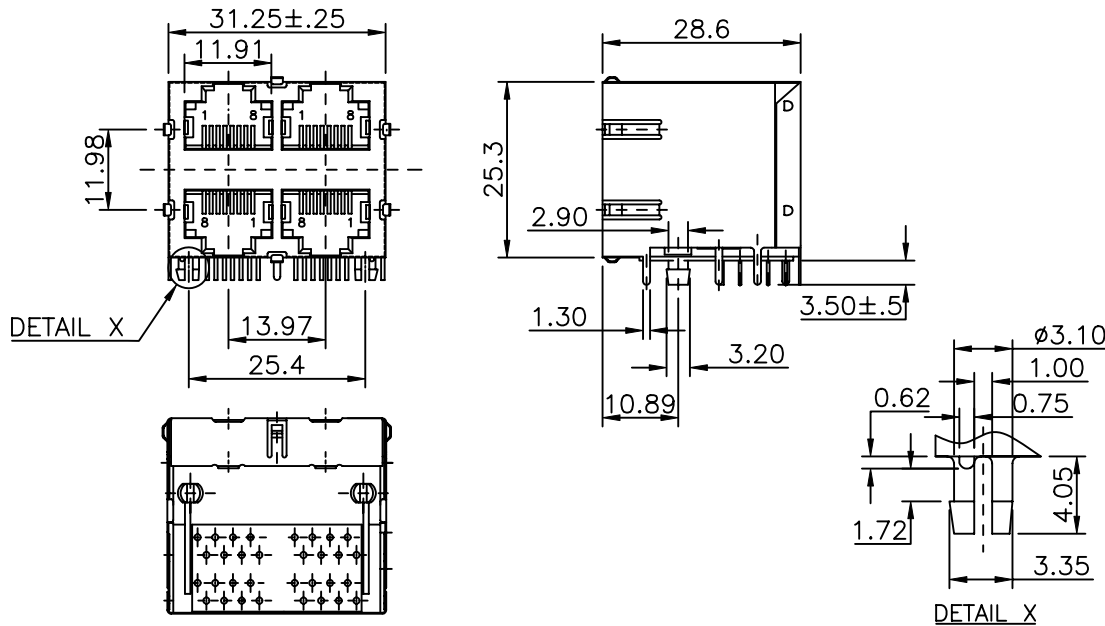


Table with columns: DESIGNED, DRAWN, CHECKED, APPROVED, SYM., DATE, DESCRIPTION OF REVISIONS, DRAWN, APPD., 3RD ANGLE, UNIT, mm, SCALE, 1:1, REV., C

Table with columns: TOLERANCE, PART NO., TITLE, SHEET, AS ANGLES, ±1/2°, 1 OF 1