

1

2

3

4

COMPONENT SPECIFICATION

USE OR REPRODUCTION OF THIS DRAWING FOR THE PURPOSE OF MANUFACTURING THIS ARTICLE OR ANY ARTICLES SHOWN FOR ANY PURPOSE IS STRICTLY PROHIBITED WITHOUT WRITTEN PERMISSION FROM SENIOR INDUSTRIES, INC.

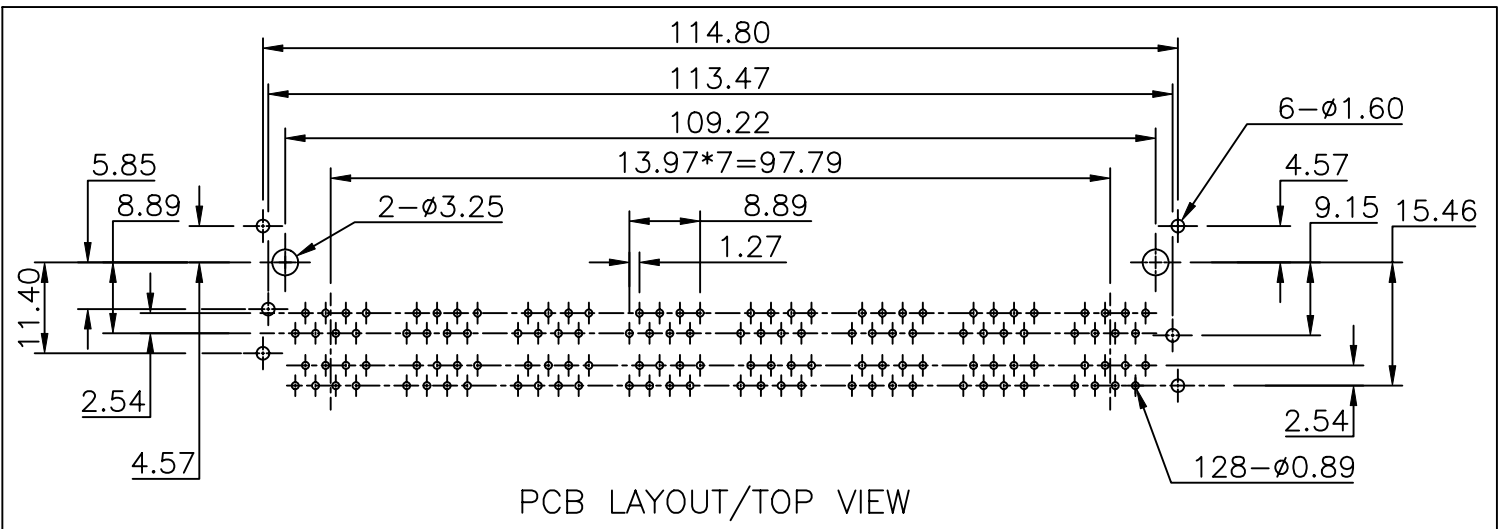
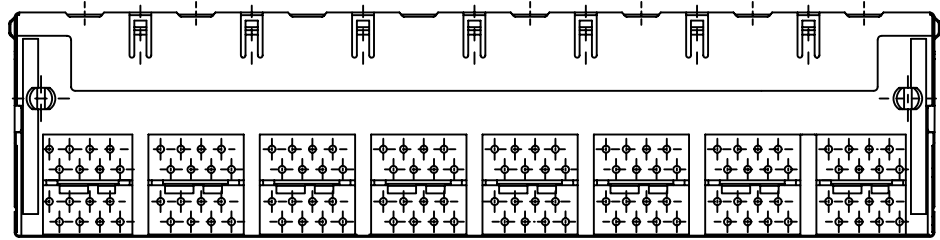
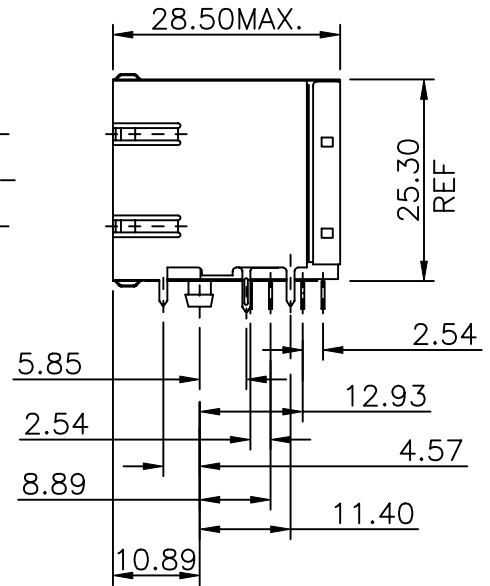
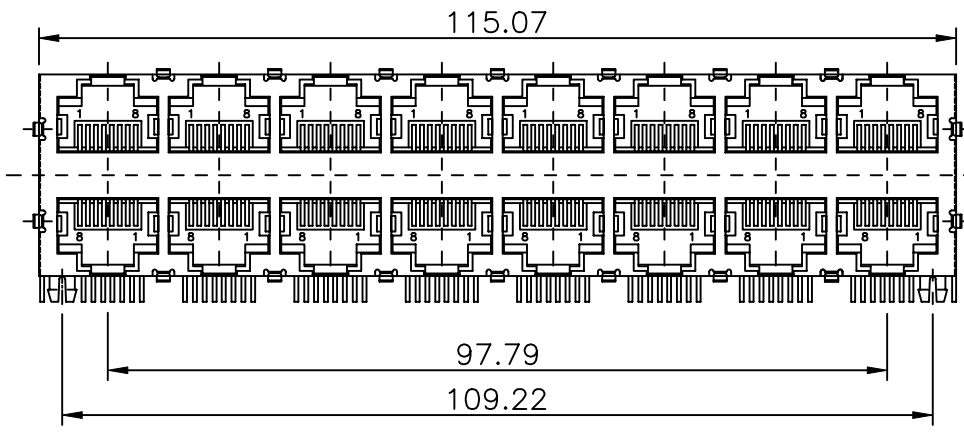
A

B

C

D

E



PCB LAYOUT/TOP VIEW

DESIGNED:			SYM.	DATE:	DESCRIPTION OF REVISIONS:	DRAWN	APPD.
DRAWN:	RJT	02/07/01	▲	02.07.01	NEW	RB	TF
CHECKED:	GAT	03/08/06	▲	10.25.04	New Index, Shield Detail	GAT	TF
APPROVED:	JF	03/08/06	▲	03.07.06	'Lead' removed from terminal plating area	GAT	JF
			▲	.	.		
			▲	.	.		

3RD ANGLE		UNIT:	mm	SCALE:	1:1	REV.	C
-----------	--	-------	----	--------	-----	------	---



TOLERANCE:	PART NO:
TO 1 DECIMAL PLACE: ±.3	SSGJ1R-16XX-X
TO 2 DECIMAL PLACES: ±.15	TITLE:
AS ANGLES: ±1/2°	SHIELDED MODULAR JACK
	1 OF 2

1

2

3

4

COMPONENT SPECIFICATION

USE OR REPRODUCTION OF THIS DRAWING FOR THE PURPOSE OF MANUFACTURING THIS ARTICLE OR ANY ARTICLES SHOWN FOR ANY PURPOSE IS STRICTLY PROHIBITED WITHOUT WRITTEN PERMISSION FROM SENIOR INDUSTRIES, INC.

SPECIFICATIONS

ELECTRICAL:

CONTACT RATING: 1.5A AT 125 VAC  
CONTACT RESISTANCE: 30 MILLIOHMS MAX.  
INSULATION RESISTANCE: 500 MEGOHMS MIN. AT 500 VDC  
DIELECTRIC STRENGTH: 1000 VRMS FOR 1 MINUTE

MECHANICAL:

LIFE: 750 CYCLES MIN.

ENVIRONMENTAL:

OPERATING TEMPERATURE: 0°C TO 70°C  
STORAGE TEMPERATURE: -40°C TO +85°C

MATERIAL:

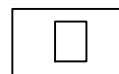
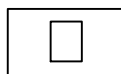
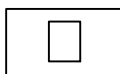
HOUSING: GLASS FILLED PBT POLYESTER, UL94V-0  
TERMINALS: PHOSPHOR BRONZE, 0.35t  
SHIELD: COPPER ALLOY, NICKEL PLATED, 0.25t  
PLATING: CONTACT AREA - SELECTIVE GOLD PLATING OVER NICKEL OVER TIN

TERMINATION AREA - 100 μIN TIN OVER NICKEL

PART NUMBER BUILDER:

MODEL PORTS CONTACTS PLATING COLOR

SSGJ1R - 16



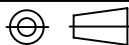
2, 4, 6, OR 8

- 1. 15 μIN. Au
- 2. 30 μIN. Au
- 3. 50 μIN. Au
- 4. 6 μIN. Au
- 5. 3 μIN. Au

- 1. = BLUE
- 2. = RED
- 3. = BLACK
- 4. = BROWN
- 5. = GREEN
- 6. = WHITE
- 7. = GRAY
- 8. = ORANGE
- 9. = YELLOW
- 10.= VIOLET
- 11.= IVORY/NEUTRAL

DESIGNED:			SYM.	DATE:	DESCRIPTION OF REVISIONS:	DRAWN	APPD.
DRAWN:	RJT	02/07/01	△	02.07.01	NEW	RB	TF
CHECKED:	GAT	03/08/06	△	10.25.04	New Index, Shield Detail	GAT	TF
APPROVED:	JF	03/08/06	△	03.07.06	'Lead' removed from terminal plating area	GAT	JF
			△	.	.		

3RD ANGLE



UNIT:

mm

SCALE:

REV.

C



**SENIOR INDUSTRIES, INC.**

TOLERANCE:

TO 1 DECIMAL PLACE: ±

TO 2 DECIMAL PLACES: ±

AS ANGLES: ±

SHEET:

PART NO:

SSGJ1R-16XX-X

TITLE:

SHIELDED MODULAR JACK

2 OF 2