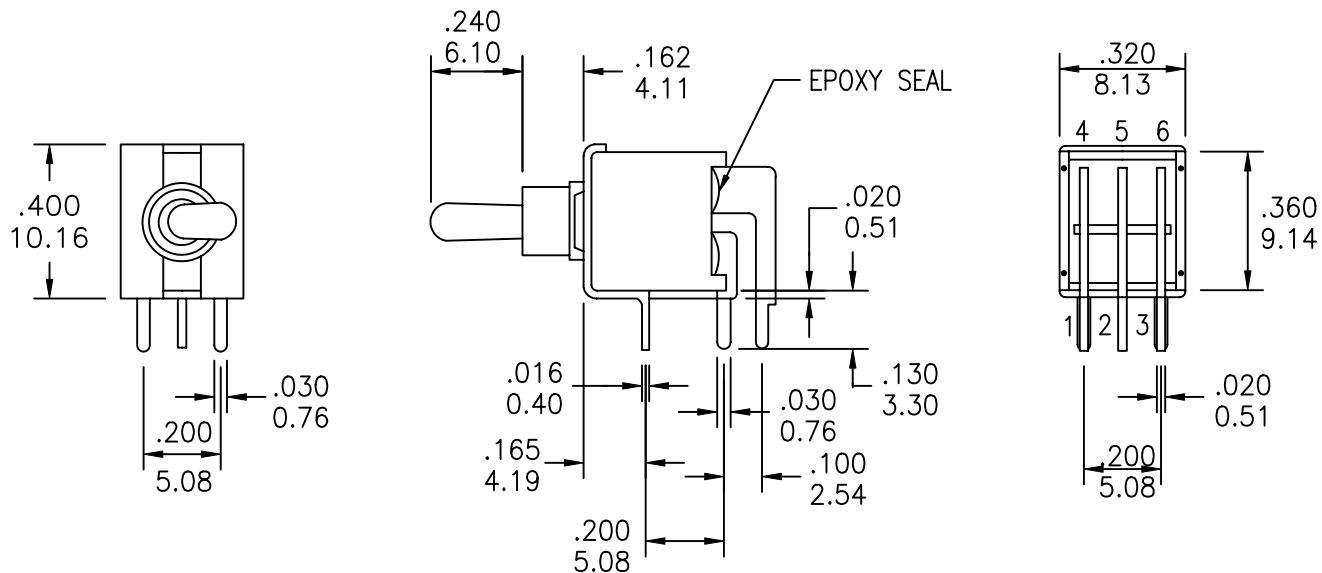


1




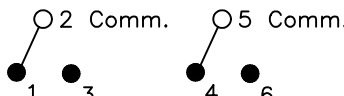
2

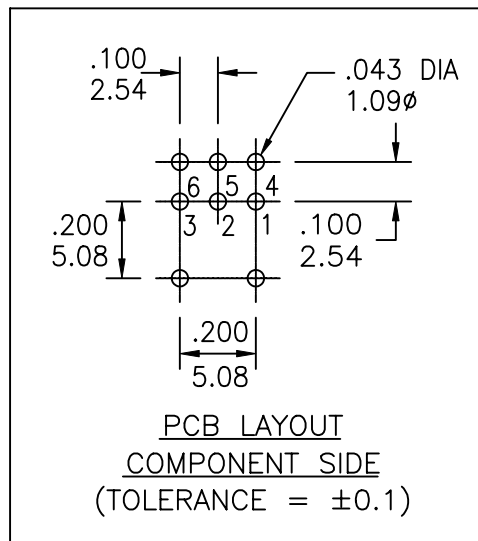
3

4

COMPONENT
SPECIFICATIONUSE OR REPRODUCTION OF THIS DRAWING FOR THE PURPOSE OF MANUFACTURING THIS
ARTICLE OR ANY ARTICLES SHOWN FOR ANY PURPOSE IS STRICTLY PROHIBITED WITHOUT
WRITTEN PERMISSION FROM SENIOR INDUSTRIES, INC.

SSST-92XX-TECXE SHOWN

MODEL NO.	SWITCHING POSITION		
			
921	ON	NONE	ON
921A	ON	NONE	MOM
922	ON	OFF	ON
CONN. TERMS	2-3 5-6	OPEN	2-1 5-4
SCHEMATIC			

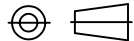
PCB LAYOUT
COMPONENT SIDE
(TOLERANCE = ±0.1)

NON-SHORTING TYPE

RoHS COMPLIANT

DESIGNED:			SYM.	DATE	DESCRIPTION OF REVISIONS	DRAWN	APPD.
DRAWN:	RB	03/13/01	△	03.13.01	NEW	RB	JF
CHECKED:	GAT	01/11/08	△	01.11.08	Updated general dims. Corrected PN Builder options. New indicator	GAT	JF
APPROVED:	JF	01/11/08	△				

3RD ANGLE



UNIT:

IN/mm

SCALE:

2:1

REV.

B

SENIOR
INDUSTRIES, INC.

TOLERANCE:

TO 1 DECIMAL PLACE: ±.2

TO 2 DECIMAL PLACES: ±.10

AS ANGLES: ±1/2°

SHEET:

PART NO:

SEE CHART

TITLE:

SSST 921/922 SEALED
TOGGLE SWITCH

1 OF 3

1

2

3

4

COMPONENT
SPECIFICATIONUSE OR REPRODUCTION OF THIS DRAWING FOR THE PURPOSE OF MANUFACTURING THIS
ARTICLE OR ANY ARTICLES SHOWN FOR ANY PURPOSE IS STRICTLY PROHIBITED WITHOUT
WRITTEN PERMISSION FROM SENIOR INDUSTRIES, INC.SPECIFICATIONSELECTRICAL

CONTACT RATING:

SILVER: 3A @ 120 VAC OR 28 VDC, 1A @ 250 VAC

GOLD: 0.4 VA MAX. @ 20 V MAX. (AC OR DC)

CONTACT RESISTANCE: 20 MILLIOHMS MAX.

INSULATION RESISTANCE: 1,000 MEGOHMS MIN. AT 500 VDC

DIELECTRIC STRENGTH: 1,000 VRMS

MECHANICAL

LIFE: 30,000 CYCLES

ENVIRONMENTAL

OPERATING TEMPERATURE: -30°C TO +85°C

MATERIAL

CASE: GLASS FILLED NYLON 66, UL94V-0

ACTUATOR: BRASS, CHROME PLATED, INTERNAL O-RING SEAL STANDARD

BUSHING: GLASS FILLED NYLON 66, UL94V-0

SUPPORT: BRASS, TIN PLATED

CONTACT/TERMINALS: COPPER ALLOY, SILVER OR GOLD PLATED

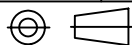
PART NUMBER BUILDER:

SERIES	MODEL NO.	ACTUATOR	BUSHING	TERMINATION	CONTACT PLATING	SEAL
SSST -	<input type="text"/>	- <input type="text"/>	<input type="text"/>	<input type="text"/>	<input type="text"/>	<input type="text"/>
	921	S (.400 HIGH)	E (.177 HIGH)	C (PC MOUNT)	Q (SILVER)	BLANK
	921A	T (.240 HIGH)			R (GOLD)	E (EPOXY)
	922	U (.320 HIGH)				
		V (.550 HIGH)				
		W (PLASTIC, ANTI-STATIC .400 HIGH)				
		Z (PLASTIC, ANTI-STATIC .240 HIGH)				

RoHS COMPLIANT

DESIGNED:			SYM.	DATE	DESCRIPTION OF REVISIONS	DRAWN	APPD.
				03.13.01	NEW	RB	JF
DRAWN:	RB	03/13/01		01.11.08	Updated general dims. Corrected PN Builder options. New indicator	GAT	JF
CHECKED:	GAT	01/11/08		.			
APPROVED:	JF	01/11/08		.			

3RD ANGLE



UNIT:

IN/mm

SCALE:

REV.

B

**SENIOR
INDUSTRIES, INC.**

TOLERANCE:

TO 1 DECIMAL PLACE: ±

TO 2 DECIMAL PLACES: ±

AS ANGLES: ±

SHEET:

PART NO:

SEE CHART

TITLE:

SSST 921/922 SEALED
TOGGLE SWITCH

2 OF 3

1

2

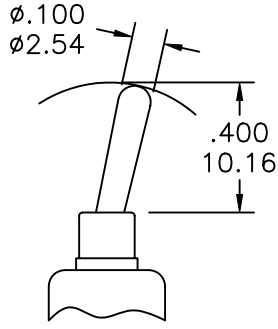
3

4

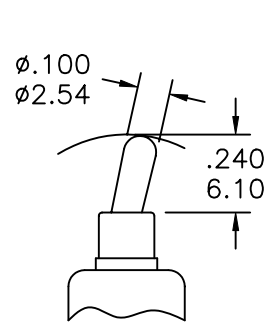
COMPONENT SPECIFICATION

USE OR REPRODUCTION OF THIS DRAWING FOR THE PURPOSE OF MANUFACTURING THIS ARTICLE OR ANY ARTICLES SHOWN FOR ANY PURPOSE IS STRICTLY PROHIBITED WITHOUT WRITTEN PERMISSION FROM SENIOR INDUSTRIES, INC.

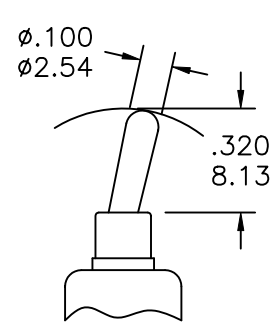
ACTUATOR OPTIONS



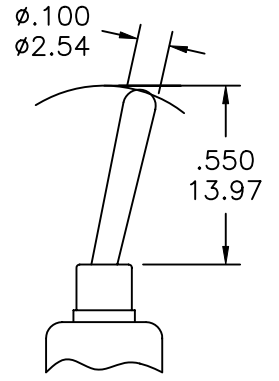
S



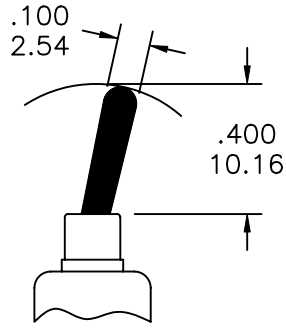
T



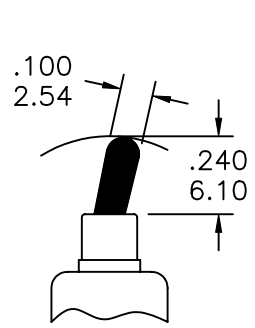
U



V



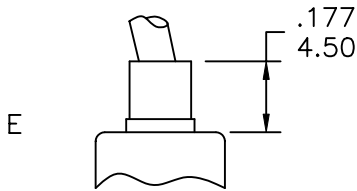
W



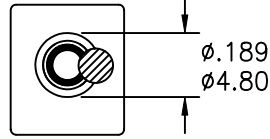
Z

PLASTIC ACTUATOR

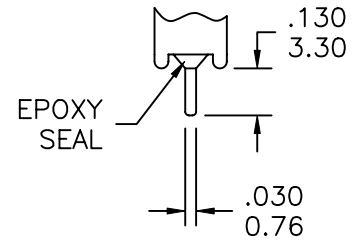
BUSHING OPTIONS



E



TERMINATION OPTIONS

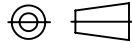


C (PC MOUNT)

RoHS COMPLIANT

DESIGNED:			SYM.	DATE	DESCRIPTION OF REVISIONS	DRAWN	APPD.
			▲	03.13.01	NEW	RB	JF
DRAWN:	RB	03/13/01	▲	01.11.08	Updated general dims. Corrected PN Builder options. New indicator	GAT	JF
CHECKED:	GAT	01/11/08	▲	.			
APPROVED:	JF	01/11/08	▲	.			

3RD ANGLE



UNIT:

IN/mm

SCALE:

2:1

REV.

B



TOLERANCE:

TO 1 DECIMAL PLACE:	$\pm .2$
TO 2 DECIMAL PLACES:	$\pm .10$
AS ANGLES:	$\pm 1/2^\circ$

SHEET:

PART NO:

SEE CHART

TITLE:

SSST 921/922 SEALED TOGGLE SWITCH

3 OF 3