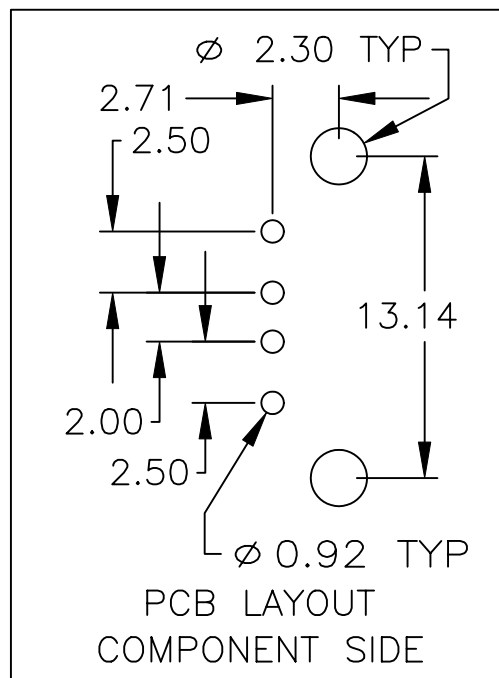
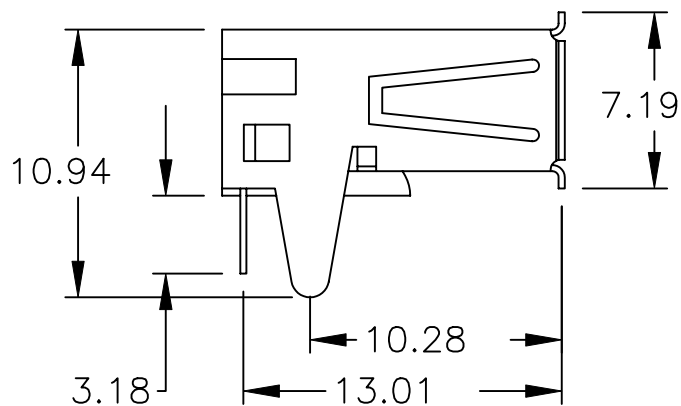
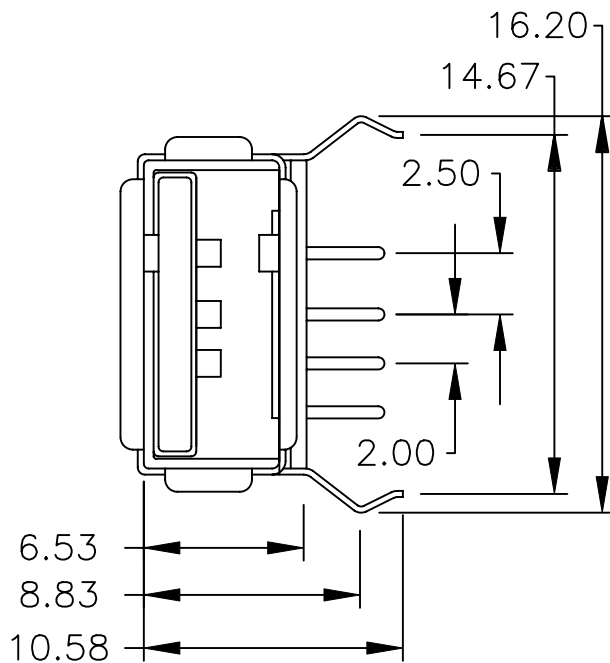
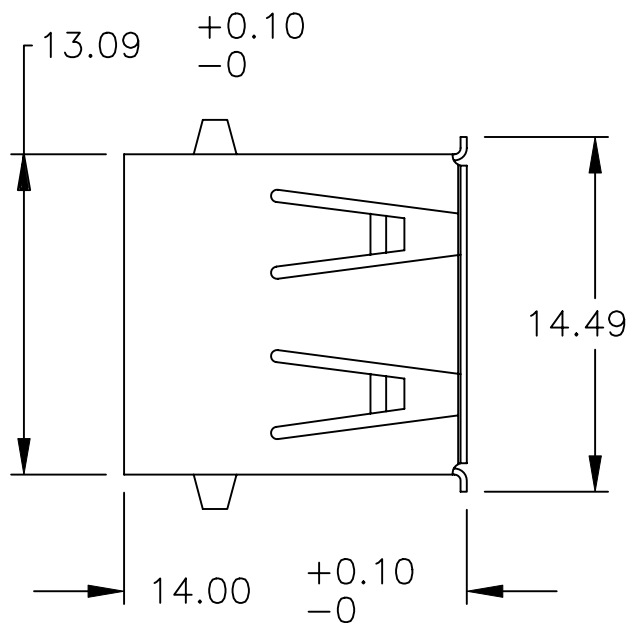


UNLESS OTHERWISE SPECIFIED, ALL DIMENSIONS ARE IN METRIC.

TO 1 DECIMAL PLACE ±.3
 TO 2 DECIMAL PLACES ±.12
 AS ANGLES ±1/2°

ISSUE	DATE
A	02/22/00
B	03/13/07



RoHS COMPLIANT



TITLE: USB CONNECTOR		PART NO: SUSB-100-X-X	
DATE: 02/10/00	DRAWN: HV	CHKD: JF	SCALE: 3/1
		SHEET: 1 OF 2	

UNLESS OTHERWISE SPECIFIED, ALL DIMENSIONS ARE IN METRIC.

TO 1 DECIMAL PLACE ±
TO 2 DECIMAL PLACES ±
AS ANGLES ±

ISSUE	DATE
A	02/22/00
B	03/13/07

SPECIFICATIONS

ELECTRICAL:

CONTACT RATING: 1A AT 30 VRMS
 CONTACT RESISTANCE: 30 MILLIOHMS MAX.
 INSULATION RESISTANCE: 1000 MEGOHMS MIN. AT 500 VDC
 DIELECTRIC STRENGTH: 750 VRMS FOR 1 MINUTE

MECHANICAL:

LIFE: 1500 CYCLES MIN.

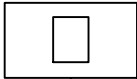
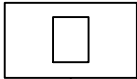
ENVIRONMENTAL:

OPERATING TEMPERATURE: 0°C TO +70°C
 STORAGE TEMPERATURE: -40°C TO +85°C

MATERIAL:

TERMINAL: PHOSPHOR BRONZE, 0.25MM
 SHIELD: COPPER ALLOY, 0.30MM
 HOUSING: PBT 30% GLASS FILLED, UL94V-0
 PLATING:
 CONTACT AREA: GOLD OVER Pd-Ni OVER NICKEL
 TERMINATION AREA: 150 μ" TIN MIN. OVER 50 μ" NICKEL
 SHIELD: 120 μ" TIN MIN. OVER 50 μ" NICKEL

PART NUMBER BUILDER:

MODEL	PLATING	COLOR										
SUSB-100 —												
1. 15 μ" Au	—	<table border="1"> <tr> <td>1 - BLUE</td> <td>6 - WHITE</td> </tr> <tr> <td>2 - RED</td> <td>7 - GRAY</td> </tr> <tr> <td>3 - BLACK</td> <td>8 - ORANGE</td> </tr> <tr> <td>4 - BROWN</td> <td>9 - YELLOW</td> </tr> <tr> <td>5 - GREEN</td> <td>0 - VIOLET</td> </tr> </table>	1 - BLUE	6 - WHITE	2 - RED	7 - GRAY	3 - BLACK	8 - ORANGE	4 - BROWN	9 - YELLOW	5 - GREEN	0 - VIOLET
1 - BLUE			6 - WHITE									
2 - RED			7 - GRAY									
3 - BLACK			8 - ORANGE									
4 - BROWN	9 - YELLOW											
5 - GREEN	0 - VIOLET											
2. 30 μ" Au												
3. 50 μ" Au												
4. 6 μ" Au												

RoHS COMPLIANT



TITLE: USB CONNECTOR		PART NO: SUSB-100-X-X	
DATE: 02/10/00	DRAWN: HV	CHKD: JF	SCALE: SHEET: 2 OF 2