

COMPONENT SPECIFICATION

USE OR REPRODUCTION OF THIS DRAWING FOR THE PURPOSE OF MANUFACTURING THIS ARTICLE OR ANY ARTICLES SHOWN FOR ANY PURPOSE IS STRICTLY PROHIBITED WITHOUT WRITTEN PERMISSION FROM SENIOR INDUSTRIES, INC.

SPECIFICATIONS

ELECTRICAL:

CONTACT RATING: 1A AT 30 VRMS  
 CONTACT RESISTANCE: 30 MILLIOHMS MAX.  
 INSULATION RESISTANCE: 1000 MEGOHMS MIN. AT 500 VDC  
 DIELECTRIC STRENGTH: 750 VRMS FOR 1 MINUTE

MECHANICAL:

MATING FORCE: 3.5 Kg MAX.  
 UNMATING FORCE: 1 Kg MIN.  
 LIFE: 1500 CYCLES MIN.

MATERIAL

TERMINAL: PHOSPHOR BRONZE, 0.25MM  
 SHIELD: COPPER ALLOY, 0.30MM  
 HOUSING: PBT 30% GLASS FILLED, UL94V-0

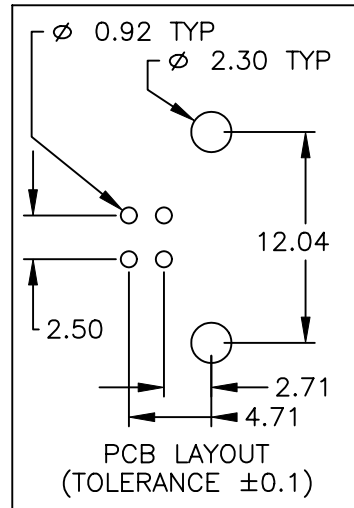
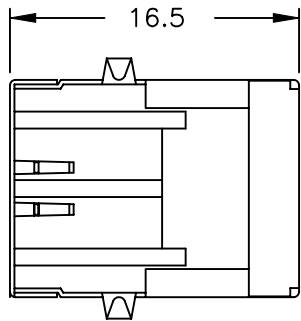
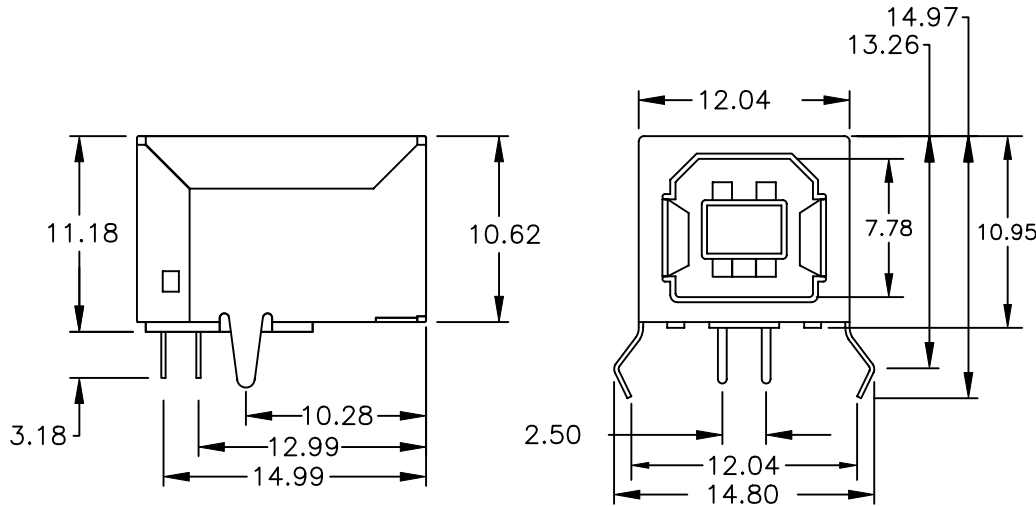
CONTACT AREA: GOLD OVER Pd-Ni OVER NICKEL  
 TERMINATION AREA: 150 μ" TIN MIN. OVER 50 μ" NICKEL  
 SHIELD: 120 μ" TIN MIN. OVER 50 μ" NICKEL

ENVIRONMENTAL

OPERATING TEMPERATURE: 0°C TO 70°C  
 STORAGE TEMPERATURE: -40°C TO 70°C

PART NUMBER BUILDER:

MODEL	PLATING	COLOR										
SUSB-101												
1. 15 μ" Au												
2. 30 μ" Au												
3. 50 μ" Au												
4. 6 μ" Au												
		<table border="0"> <tr> <td>1 - BLUE</td> <td>6 - WHITE</td> </tr> <tr> <td>2 - RED</td> <td>7 - GRAY</td> </tr> <tr> <td>3 - BLACK</td> <td>8 - ORANGE</td> </tr> <tr> <td>4 - BROWN</td> <td>9 - YELLOW</td> </tr> <tr> <td>5 - GREEN</td> <td>0 - VIOLET</td> </tr> </table>	1 - BLUE	6 - WHITE	2 - RED	7 - GRAY	3 - BLACK	8 - ORANGE	4 - BROWN	9 - YELLOW	5 - GREEN	0 - VIOLET
1 - BLUE	6 - WHITE											
2 - RED	7 - GRAY											
3 - BLACK	8 - ORANGE											
4 - BROWN	9 - YELLOW											
5 - GREEN	0 - VIOLET											



PART IS ROHS COMPLIANT



**SENIOR INDUSTRIES, INC.**

DESIGNED:			SYM.	DATE:	DESCRIPTION OF REVISIONS:	DRAWN:	APPD:
DRAWN:	HV	02/10/00	▲	04.05.01	Corr dim 16 to 16.5 & 11.12 to 14.85 per parts	RB	JF
CHECKED:	GAT	08/15/05	▲	04.27.01	Corr: 11.2->10.6; 11.5->11.18; 2.8->3.18. Colors	RB	TF
APPROVED:	JF	07/15/05	▲	02.14.02	Ched 12.11->12.04; 14.85->14.80. Side view corr	RB	TF
			▲	07.25.05	New Indicator. 'Lead' removed from plating area	GAT	JF
			▲	08.15.05	Corr side view per supplier's spec. Spec updated	GAT	JF

TOLERANCE:	PART NO:	SUSB-101-X-X
TO 1 DECIMAL PLACE: ±.3	TITLE:	USB CONNECTOR
TO 2 DECIMAL PLACES: ±.12	SHEET:	1 OF 1
AS ANGLES: ±1/2'		

3RD ANGLE		UNIT:	mm	SCALE:	3:1	REV.	G
-----------	--	-------	----	--------	-----	------	---