

COMPONENT SPECIFICATION

USE OR REPRODUCTION OF THIS DRAWING FOR THE PURPOSE OF MANUFACTURING THIS ARTICLE OR ANY ARTICLES SHOWN FOR ANY PURPOSE IS STRICTLY PROHIBITED WITHOUT WRITTEN PERMISSION FROM SENIOR INDUSTRIES, INC.

SPECIFICATIONS

ELECTRICAL:

CONTACT RATING: 1.5A MAX. AT 30V MAX.
 CONTACT RESISTANCE: 30 MILLIOHMS MAX.
 INSULATION RESISTANCE: 1000 MEGOHMS MIN. AT 500 VDC
 DIELECTRIC STRENGTH: 500V RMS FOR 1 MINUTE

MECHANICAL:

LIFE: 10,000 CYCLES MIN.
 MATING: 35N MAX.
 WITHDRAWAL: 10N MIN.

MATERIAL:

TERMINAL: PHOSPHOR BRONZE
 SHIELD: COPPER ALLOY
 HOUSING: PBT 30% GLASS FILLED, UL94V-0
 PLATING:
 CONTACT AREA: GOLD OVER Pd-Ni OVER NICKEL
 TERMINATION AREA: TIN OVER NICKEL
 SHIELD: TIN OVER NICKEL

ENVIRONMENTAL:

TEMPERATURE RANGE: -55°C TO 85°C

PART NUMBER BUILDER:

MODEL

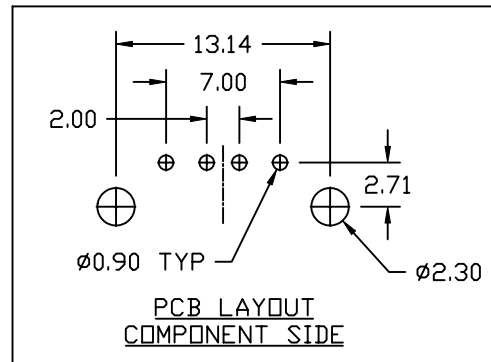
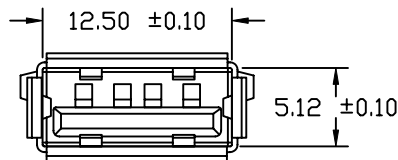
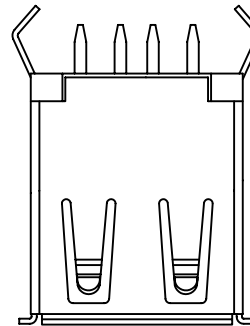
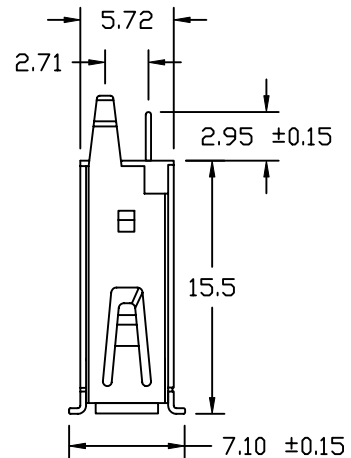
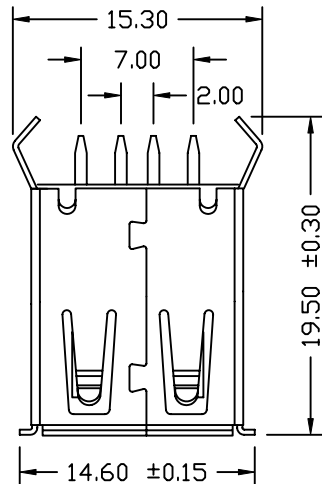
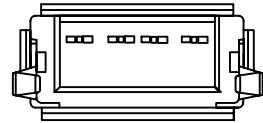
PLATING

COLOR

SUSB-102

- 1. 15 J" Au
- 2. 30 J" Au
- 3. 50 J" Au
- 4. 6 J" Au

- 1 - BLUE
- 2 - RED
- 3 - BLACK
- 4 - BROWN
- 5 - GREEN
- 6 - WHITE
- 7 - GRAY
- 8 - ORANGE
- 9 - YELLOW
- 10 - VIOLET
- 11 - IVORY/NEUTRAL



SENIOR INDUSTRIES, INC.

DESIGNED:		SYM.	DATE:	DESCRIPTION OF REVISIONS:	DRAWN:	APPD:
DRAWN:	GAT	07/10/06	07.10.06	NEW	GAT	JF
CHECKED:	GAT	07/19/06				
APPROVED:	JF	07/19/06				

TOLERANCE:	PART NO:	SUSB-102-X-X
TO 1 DECIMAL PLACE: ±.3	TITLE:	USB CONNECTOR
TO 2 DECIMAL PLACES: ±.25	SHEET:	1 OF 1
AS ANGLES: ±1/2°		

3RD ANGLE	UNIT:	mm	SCALE:	2:1	REV.	A
-----------	-------	----	--------	-----	------	---