

COMPONENT SPECIFICATION

USE OR REPRODUCTION OF THIS DRAWING FOR THE PURPOSE OF MANUFACTURING THIS ARTICLE OR ANY ARTICLES SHOWN FOR ANY PURPOSE IS STRICTLY PROHIBITED WITHOUT WRITTEN PERMISSION FROM SENIOR INDUSTRIES, INC.

SPECIFICATIONS

ELECTRICAL:

CONTACT RATING: 1A @ 30 VRMS
 CONTACT RESISTANCE: 30 MILLIOHMS MAX.
 INSULATION RESISTANCE: 1000 MEGOHMS MIN. AT 500 VDC
 DIELECTRIC STRENGTH: 750 VRMS FOR 1 MINUTE

MECHANICAL:

LIFE: 1500 CYCLES MIN.

MATERIAL:


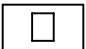
TERMINAL: PHOSPHOR BRONZE, 0.25MM
 SHIELD: COPPER ALLOY, 0.30MM
 HOUSING: PBT 30% GLASS FILLED, UL94V-0
 PLATING:

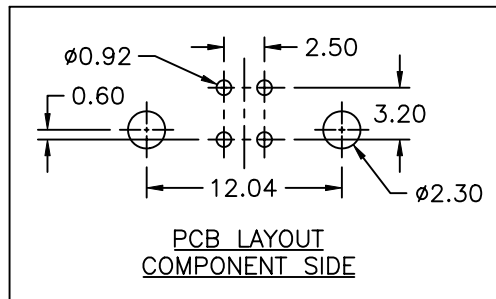
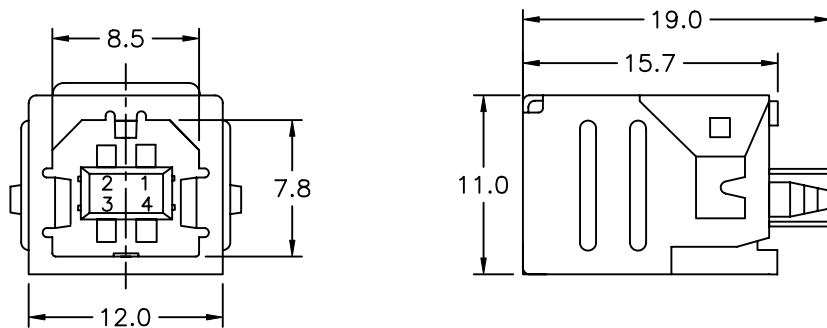
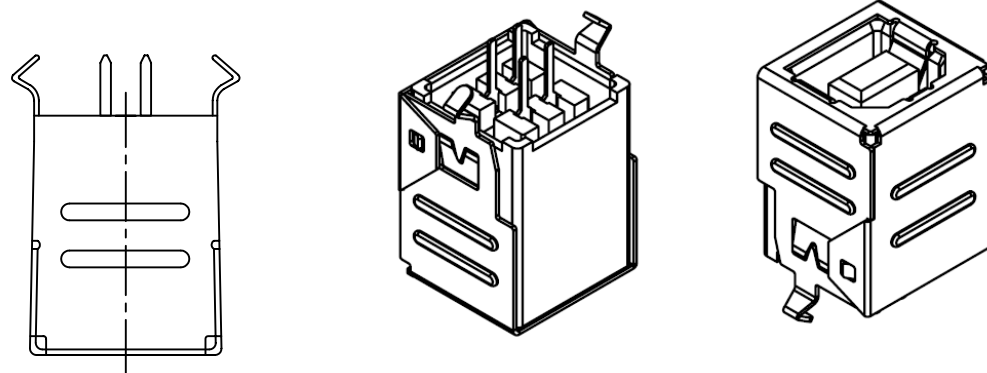
CONTACT AREA: GOLD OVER NICKEL
 TERMINATION AREA: 150 μIN TIN OVER 50 μIN NICKEL
 SHIELD: 120 μIN TIN OVER 50 μIN NICKEL

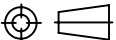
ENVIRONMENTAL:

OPERATING TEMPERATURE: -40°C TO 85°C
 STORAGE TEMPERATURE: -50°C TO 90°C

PART NUMBER BUILDER:

MODEL	PLATING	COLOR
SUSB-103		
1. 15 J" Au		1 - BLUE
2. 30 J" Au		2 - RED
3. 50 J" Au		3 - BLACK
4. 6 J" Au		4 - BROWN
		5 - GREEN
		6 - WHITE
		7 - GRAY
		8 - ORANGE
		9 - YELLOW
		0 - VIOLET



DESIGNED:			SYMBOL	DATE	DESCRIPTION OF REVISIONS:	DRAWN:	APPD:	TOLERANCE:	PART NO:	SUSB-103-X-X
DRAWN:	HV	05/16/00	▲	05.16.00	NEW	RB	JF	TO 1 DECIMAL PLACE: ±.3	TITLE	USB CONNECTOR
CHECKED:	GAT	09/18/06	▲	01.09.04	Added Oper. Temp. and Storage Temp.	RB	TF			
APPROVED:	JF	09/18/06	▲	09.18.06	Part substituted with a New design	GAT	JF	AS ANGLES: ±1/2°	SHEET:	1 OF 1
3RD ANGLE		UNIT:	mm	SCALE:	1:2	REV.	C			