

COMPONENT SPECIFICATION

USE OR REPRODUCTION OF THIS DRAWING FOR THE PURPOSE OF MANUFACTURING THIS ARTICLE OR ANY ARTICLES SHOWN FOR ANY PURPOSE IS STRICTLY PROHIBITED WITHOUT WRITTEN PERMISSION FROM SENIOR INDUSTRIES, INC.

SPECIFICATIONS

ELECTRICAL:

CONTACT RATING: 1A AT 30 VRMS
 CONTACT RESISTANCE: 30 MILLIOHMS MAX. INITIAL
 INSULATION RESISTANCE: 1000 MEGOHMS MIN. AT 500 VDC
 DIELECTRIC STRENGTH: 500 VRMS FOR 1 MINUTE

MECHANICAL:

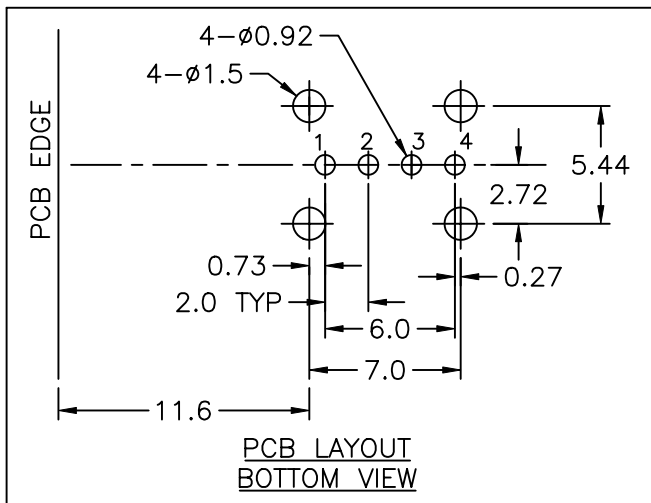
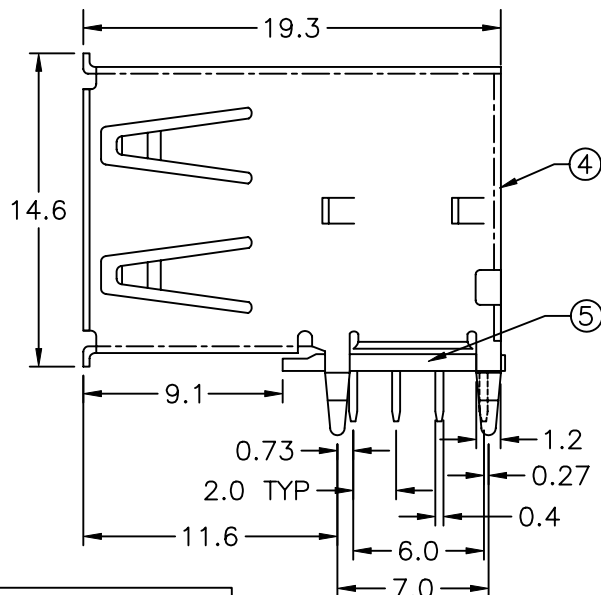
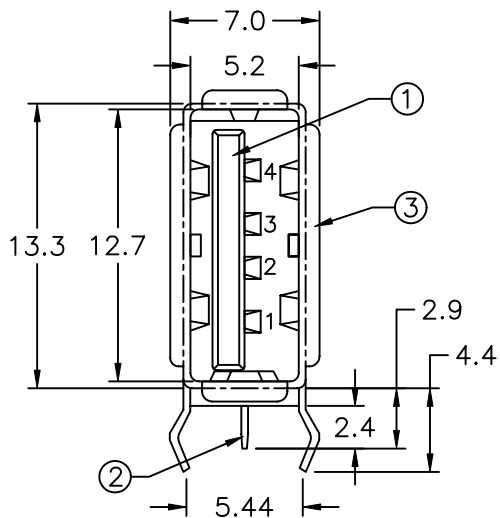
LIFE: 1500 CYCLES MIN.

ENVIRONMENTAL:

OPERATING TEMPERATURE: 0°C TO +70°C
 STORAGE TEMPERATURE: -40°C TO +70°C

PART NUMBER BUILDER:

MODEL	PLATING	COLOR
SUSB-104		
	1. 15 μ " Au 2. 30 μ " Au 3. 50 μ " Au 4. 6 μ " Au	3 - BLACK 6 - WHITE



NO.	DESCRIPTION	MATERIAL/FINISH
1	HOUSING	GLASS FILLED P.B.T., UL94V-0
2	PIN TERMINALS	PHOSPHOR BRONZE 0.25mm THICK - SELECTIVE GOLD IN CONTACT AREA / TIN PLATING IN TERMINAL AREA
3	SHIELD	BRASS 0.3mm THICK - NICKEL PLATED
4	SHIELD	SPCC 0.3mm THICK - NICKEL PLATED
5	BOTTOM COVER	GLASS FILLED P.B.T., UL94V-0



DESIGNED:			SYM.	DATE:	DESCRIPTION OF REVISIONS:	DRAWN:	APPD:	TOLERANCE:	PART NO:	SUSB-104-X-X
DRAWN:	RB	04/17/01	▲	04.17.01	NEW	RB	JF	TO 1 DECIMAL PLACE: ± 0.3 TO 2 DECIMAL PLACES: ± 0.2 AS ANGLES: $\pm 1'$	TITLE:	VERTICAL USB CONNECTOR, TYPE A
CHECKED:	GAT	09/25/06	▲	10.03.03	General drawing updated per new spec	RB	TF		SHEET:	1 OF 1
APPROVED:	JF	09/25/06	▲	09.25.06	New spec-general views, dims updated	GAT	JF			
3RD ANGLE		UNIT:	mm	SCALE:	3:1	REV:	C			